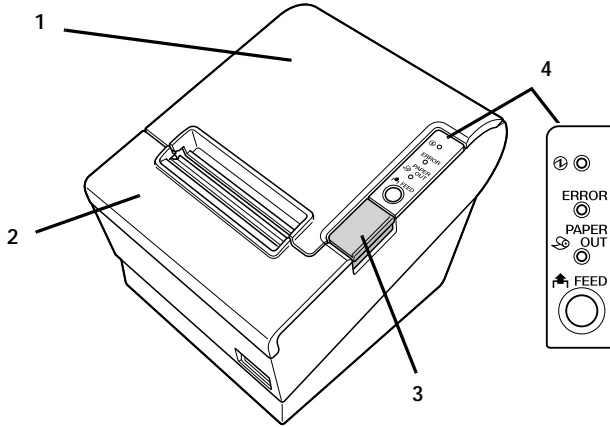


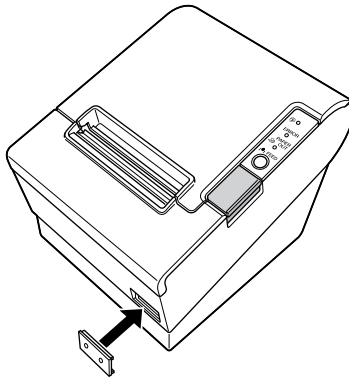
TM-T88IV

User's Manual.	1
Benutzerhandbuch.	7
Gebruikershandleiding	13
Manuel de l'utilisateur	19
Manual do utilizador	25
Manual del usuario.	31
Manuale dell'utente	37
.	43

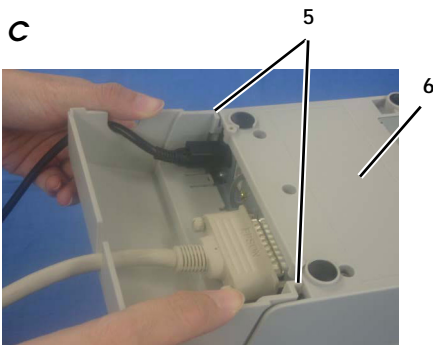
A



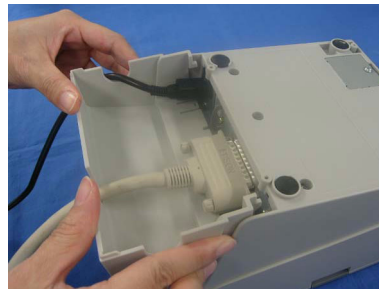
B

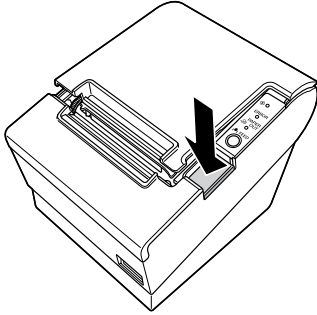
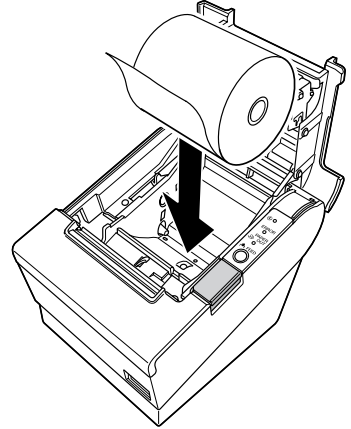
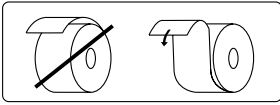
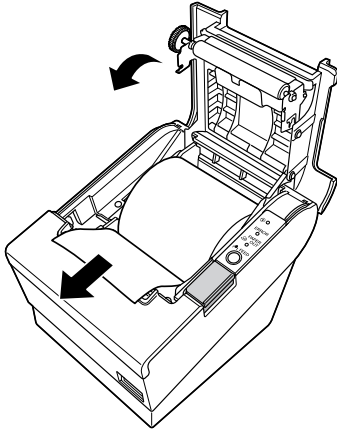
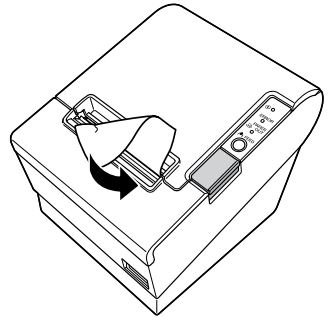
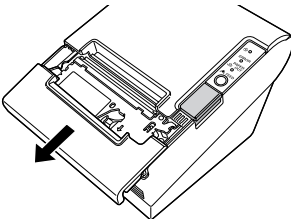
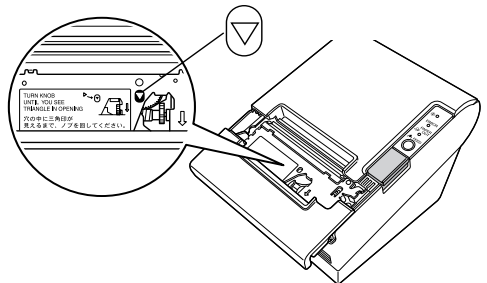


C



D



E**F****G****H****I****J****K**

DIP Switch Tables

Serial Interface (DIP switch 1)

SW	Function	ON	OFF
1-1	Data receive error	Ignored	Prints "?"
1-2	Receive buffer capacity	45 bytes	4K bytes
1-3	Handshaking	XON/XOFF	DTR/DSR
1-4	Data word length	7 bits	8 bits
1-5	Parity check	Enabled	Disabled
1-6	Parity selection	Even	Odd
1-7	Transmission speed (See table below.)		
1-8			

Transmission speed

Transmission speed (bps)-bits per second	1-7	1-8
38400 *1	ON	ON
4800	OFF	ON
9600	ON	OFF
19200	OFF	OFF

Serial Interface (DIP switch 2)

SW	Function	ON	OFF
2-1	Handshaking (BUSY condition)	Receive buffer full	Offline or Receive buffer full
2-2	Do not change		
2-3	Print density/	See Table A	
2-4	Low power		
2-5	Release condition of receive buffer BUSY (If receive buffer capacity set to 4 KB.)	Releases BUSY when remaining receive buffer capacity reaches 138 bytes.	Releases BUSY when remaining receive buffer capacity reaches 256 bytes.
2-6	Do not change		
2-7	I/F pin 6 reset	Enabled	Disabled
2-8	I/F pin 25 reset	Enabled	Disabled

*1. Only when DIP Switches 1-7 and 1-8 are on, the transmission speed can be selected from one of seven speeds: 2400, 4800, 9600, 19200, 38400, 57600, and 15200 bps. The default is 38400.

Parallel Interface (DIP switch 1)

SW	Function	ON	OFF
1-1	Auto line feed	Always enabled	Always disabled
1-2	Receive buffer capacity	45 bytes	4K bytes
1-3	Select paper sensors to output paper-end signals (default value of ESC C 3)	Disabled	Roll Paper end sensor enabled, Roll Paper near-end sensor enabled
1-4	Error signal output	Disabled	Enabled
1-5-1-8	Undefined		

Parallel Interface (DIP switch 2)

SW	Function	ON	OFF
2-1	Handshaking (BUSY condition)	Receive buffer full	Offline or Receive buffer full
2-2	Do not change		
2-3	Print density/	See Table A	
2-4	Low power		
2-5	Release condition of receive buffer BUSY (If receive buffer capacity set to 4 KB.)	Releases BUSY when remaining receive buffer capacity reaches 138 bytes.	Releases BUSY when remaining receive buffer capacity reaches 256 bytes.
2-6	Do not change		
2-7			
2-8	I/F pin 31 reset (Do not change)		

Table A

Print density/low power	SW 2-3	SW 2-4
- Low power consumption mode	ON	ON
Print density "Normal"	OFF	OFF
Print density "Medium"	ON	OFF
Print density "Dark"	OFF	ON

Specifications

Printing method	Thermal line printing
Dot density	180 dpi x 180 dpi (dots per 25.4 mm {1"})
Printing direction	Unidirectional with friction feed
Printing width	80 mm paper width model: 72 mm {2.83"}, 512 dot positions
Characters per line (default)	80 mm paper width model: Font A: 42; Font B: 56
Character spacing (default)	Font A: 0.28 mm {01"} (2 dots); Font B: 0.28 mm {01"} (2 dots)
Character size	Standard/Double-height/Double-width/Double-width and Double-height Font A: 1.41 x 3.39 mm/1.41 x 6.77 mm/2.82 x 3.39 mm/2.82 x 6.77 mm Font B: 0.99 x 2.40 mm/0.99 x 4.80 mm/1.98 x 2.40 mm/1.98 x 4.80 mm
Number of characters	Alphanumeric characters: 95; International characters: 37 Extended graphics: 128 x 11 pages (including user-defined page)
Printing speed	High-speed mode: 200 mm/s {7.9"/s} max.; 47.2 lps (4.23 mm {1/6"} feed) Ladder bar code and 2D code: 100mm/s {2.4"/s} Low-power consumption mode: 150 mm/s {5.9"/s} max.; 35.5 lps (4.23 mm feed {1/6"}) Bit image, Ladder bar code, 2D code and Page mode: 60mm/s {2.4"/s} The above speed values are approximate. The values are when the printer prints with density "Normal" at 24 V and 25°C {77°F} Speed is adjusted automatically depending on the voltage applied and head temperature.
Paper feed speed	Approx. 200 mm/s {approx. 7.9"/s} continuous paper feed
Line spacing (default)	4.23 mm {1/6"}
Character structure	Font A: 12 x 24; Font B: 9 x 17 (including 2-dot horizontal spacing) Font A is the default.
Roll Paper (single-ply)	Size: 80 mm paper width model: 79.5 mm ± 0.5 mm {3.13" ± 0.02"}, Maximum outside diameter: 83 mm {3.26"} Roll Paper spool diameter: Inside: 12 mm {0.47"}; Outside: 18 mm {0.71"}.
Thermal paper type	Specified: NTP080-80
Interface (compatible)	Serial (RS232/RS485)/Parallel (IEEE1284)/Ethernet (10/100Base-T)/USB (Full speed)
Receive buffer	4KB/45 bytes
DKD Function	2 drives
Supply voltage	+ 24 VDC ± 7%
Current consumption (at 24V)	High-speed mode: Mean: Approx. 1.8A Low-power consumption mode: Mean: Approx. 1.1A
Life	Mechanism: 15,000,000 lines Thermal head: 100 million pulses, 100 km (for single-color printing), 50 km (for two-color printing) Autocutter: 1,500,000 cuts
MTBF	360,000 hours
MCBF	52,000,000 lines (Average failure interval based on failures relating to wearout and random failures up to the life of 15 million lines.)

Temperature	Operating: 5 to 45°C {41 to 113°F} Storage: -10 to 50°C {14 to 122°F}, except for paper
Humidity	Operating: 10 to 90% RH Storage: 10 to 90% RH, except for paper
Overall dimensions	148 × 145 × 195 mm {5.83 × 5.71 × 7.68"} (H × W × D)
Weight (mass)	Approx. 1.8 kg {3.96 lb}

lps: lines per second dpi: dots per 25.4 mm (dots per inch)

TM-T88IV

User's Manual

DIP Switch Tables and Specifications

The DIP switch tables and technical specifications are at the beginning of this manual.

Illustrations

All of the illustrations are at the beginning of this manual. They are identified by letters (A, B, C . . .). Some of the illustrations have numbers in them. See the list below for the meaning of the numbers.

Illustration A:

Printer Parts

1. Printer cover
2. Cutter cover
3. Cover open button
4. Control panel

Illustration C:

5. Hook
6. Bottom of the printer

All rights reserved. No part of this publication may be reproduced, stored in a retrieval system, or transmitted in any form or by any means, electronic, mechanical, photocopying, recording, or otherwise, without the prior written permission of Seiko Epson Corporation. No patent liability is assumed with respect to the use of the information contained herein. While every precaution has been taken in the preparation of this book, Seiko Epson Corporation assumes no responsibility for errors or omissions. Neither is any liability assumed for damages resulting from the use of the information contained herein.

Neither Seiko Epson Corporation nor its affiliates shall be liable to the purchaser of this product or third parties for damages, losses, costs, or expenses incurred by purchaser or third parties as a result of: accident, misuse, or abuse of this product or unauthorized modifications, repairs, or alterations to this product, or (excluding the U.S.) failure to strictly comply with Seiko Epson Corporation's operating and maintenance instructions.

Seiko Epson Corporation shall not be liable against any damages or problems arising from the use of any options or any consumable products other than those designated as Original Epson Products or Epson Approved Products by Seiko Epson Corporation.

EPSON and ESC/POS are registered trademarks of Seiko Epson Corporation.

NOTICE: The contents of this manual are subject to change without notice.

Copyright © 2005 by Seiko Epson Corporation, Nagano, Japan.

EMC and Safety Standards Applied

Product Name: TM-T88IV

Model Name: M129H

The following standards are applied only to the printers that are so labeled. (EMC is tested using the Epson power supplies.)

Europe:	CE marking
	Safety: EN 60950
North America:	EMI: FCC/ICES-003 Class A
	Safety: UL 1950/CSA C22.2 No. 950
Japan:	EMC: VCCI Class A
Oceania:	EMC: AS/NZS CISPR22 Class B
China:	EMC: GB9254
	GB17625.1
	Safety: GB4943
Taiwan:	EMC: CNS13438
	Safety: CNS14336

WARNING

The connection of a non-shielded printer interface cable to this printer will invalidate the EMC standards of this device. You are cautioned that changes or modifications not expressly approved by Seiko Epson Corporation could void your authority to operate the equipment.

CE Marking

The printer conforms to the following Directives and Norms:

Directive 89/336/EEC	EN 55022 Class B
	EN 55024
	IEC 61000-4-2
	IEC 61000-4-3
	IEC 61000-4-4
	IEC 61000-4-5
	IEC 61000-4-6
	IEC 61000-4-11

FCC Compliance Statement For American Users

This equipment has been tested and found to comply with the limits for a Class A digital device, pursuant to Part 15 of the FCC Rules. These limits are designed to provide reasonable protection against harmful interference when the equipment is operated in a commercial environment.

This equipment generates, uses, and can radiate radio frequency energy and, if not installed and used in accordance with the instruction manual, may cause harmful interference to radio communications.

Operation of this equipment in a residential area is likely to cause harmful interference, in which case the user will be required to correct the interference at his own expense.

For Canadian Users

This Class A digital apparatus complies with Canadian ICES-003.

Precautions When Installing the Power Supply Box

A description of EMI standards is on the bottom of the printer. When the optional power supply box (OT-BX88) is installed, it is hard to check it. In such case, uninstall the power supply box if necessary.

Safety Precautions

This section presents important information intended to ensure safe and effective use of this product. Please read this section carefully and store it in an accessible location.

 **WARNING:**

Shut down your equipment immediately if it produces smoke, a strange odor, or unusual noise. Continued use may lead to fire. Immediately unplug the equipment and contact your dealer or a Seiko Epson service center for advice. Never attempt to repair this product yourself. Improper repair work can be dangerous.

Never disassemble or modify this product. Tampering with this product may result in injury or fire.

Be sure to use the specified power source. Connection to an improper power source may cause fire.

Do not allow foreign matter to fall into the equipment. Penetration by foreign objects may lead to fire.

If water or other liquid spills into this equipment, unplug the power cord immediately, and then contact your dealer or a Seiko Epson service center for advice. Continued usage may lead to fire.

If you open the DIP switch cover, be sure to close the cover and tighten the screw after adjusting the DIP switch. Using this product with the cover open may cause fire or electric shock.

 **CAUTION:**

Do not connect cables in ways other than those mentioned in this manual. Different connections may cause equipment damage and burning.

Be sure to set this equipment on a firm, stable, horizontal surface. The product may break or cause injury if it falls.

Do not use in locations subject to high humidity or dust levels. Excessive humidity and dust may cause equipment damage or fire.

Do not place heavy objects on top of this product. Never stand or lean on this product. Equipment may fall or collapse, causing breakage and possible injury.

To ensure safety, unplug this product before leaving it unused for an extended period.

When using compressed air products; such as air dusters, for cleaning during repair and maintenance, the use of such products containing flammable gas is prohibited.

Caution Labels

  **CAUTION:**

The thermal head is hot.

 **CAUTION:**

Touching the manual cutter may cause injury.

Unpacking

The following items are included with the standard specification printer. If any item is damaged, contact your dealer.

- Printer
- Roll Paper
- Power switch cover
- Connector cover *
- AC adapter *

* May not be included with your printer.

Important Installation Notes

- For a serial interface, use a null modem cable.
- For a parallel interface, use an IEEE 1284 cable.
- For a USB interface, install the driver before connecting the printer.

Downloading Drivers, Utilities, and Manuals

Drivers, utilities, and manuals can be downloaded from one of the following URLs.

For customers in North America, go to the following web site:
<http://www.epsonexpert.com/> and follow the on-screen instructions.

For customers in other countries, go to the following web site:
<http://www.epson-pos.com/>

Select the product name from the "Select any product" pulldown menu.

Installing the Printer Horizontally or Vertically

You can install the printer horizontally on a flat surface (with the paper exit on top) or vertically (with the paper exit at the front) by hanging it on a wall, using the optional WH-10 hanging bracket set.

WARNING:

When hanging the printer on the wall with the hanging bracket set, be sure to attach a connector cover to the printer.

Control Panel

FEED button

This button feeds paper.

(Power) LED

This LED is on when the printer is on.

ERROR LED

This indicates an error.

PAPER OUT LED

On indicates a paper near end or out. Flashing indicates standby.

Using the Power Switch Cover

 **WARNING:**

If an accident occurs with the power switch cover attached, unplug the power cord immediately. Continued use may cause fire or shock.

The enclosed power switch cover ensures that the power switch is not pressed accidentally. To use this cover, install it as shown in illustration **B**.

Attaching and Removing the Connector Cover

These instructions apply if a connector cover is packed with your printer to protect your cables. To attach it, follow the steps below:

1. First, connect all the cables. The connector cover has three possible cable exits: on the right, left, and back.
2. Position the two hooks on the connector cover so that they hook the printer case, as shown in illustration **C**.
3. Push the connector cover down to click onto the printer case.

To remove the connector cover, turn the printer over, and push the connector cover down while pushing both sides of the connector cover inward to detach the hooks from the printer case. See illustration **D**.

Installing Roll Paper

1. Press the button to open the cover. See illustration **E**.
2. Remove the used roll paper core, and insert the roll paper. See illustration **F**.
3. The correct direction of the paper is shown in illustration **G**.
4. Pull out some paper, as shown in illustration **H**. Close the cover, and tear off the paper, as shown in illustration **I**.

Troubleshooting

No lights on the control panel

Check the power supply cable connections and the power outlet.

ERROR LED on (not flashing) with no printing

If PAPER OUT is **on**, the roll paper is not installed or is near the end.

If PAPER OUT is **off**, the printer cover is not closed properly.

ERROR LED flashing with no printing (and no paper jam)

Printing stops if the head overheats and resumes automatically when it cools.

If overheating is not the cause, turn the printer off, and after 10 seconds, back on.

Removing Jammed Paper

  **CAUTION:**

Do not touch the thermal head because it can be very hot after printing.

1. Turn the printer off and press the cover open button.
2. Remove jammed paper, reinstall the roll, and close the cover.
3. If paper is caught in the cutter and you cannot open the printer cover, open the cutter cover as shown in illustration **J**.

4. Turn the knob until you see a triangle in the opening. This returns the cutter blade to the normal position. There is a label near the cutter to assist you. See illustration **K**.
5. Close the cutter cover.
6. Open the printer cover and remove the jammed paper.

Cleaning the Thermal Head

  **CAUTION:**

After printing, the thermal head can be very hot. Be careful not to touch it and to let it cool before you clean it. Do not damage the thermal head by touching it with your fingers or any hard object.

Turn off the printer, open the printer cover, and clean the thermal elements of the thermal head with a cotton swab moistened with an alcohol solvent (ethanol, methanol, or IPA).

Epson recommends cleaning the thermal head periodically (generally every 3 months) to maintain receipt print quality.

TM-T88IV

Benutzerhandbuch

DIP-Schaltereinstellungen und Spezifikationen

Angaben über die Einstellungen und Spezifikationen der DIP-Schalter befinden sich am Anfang der Bedienungsanleitung.

Abbildungen

Alle Abbildungen befinden sich am Anfang der Bedienungsanleitung und sind mit Buchstaben (A, B, C . . .) gekennzeichnet. Einige Abbildungen enthalten Nummern. Die Bedeutung der Nummern ist wie folgt.

Abbildung A:

Druckerkomponenten

1. Druckerabdeckung
2. Papierschneiderabdeckung
3. Öffnungsknopf für Abdeckung
4. Bedienfeld

Abbildung C:

5. Haken
6. Boden des Druckers

Alle Rechte vorbehalten. Diese Veröffentlichung darf ohne ausdrückliche schriftliche Genehmigung der Seiko Epson Corporation nicht reproduziert, in einem Abrufsystem gespeichert oder in beliebiger Form und auf jedwede Weise übermittelt werden, weder durch Fotokopieren, Aufzeichnen, noch auf elektronische, mechanische oder sonstige Weise. Für die hierin enthaltenen Informationen wird keine Patenthaftung übernommen. Obgleich bei der Zusammenstellung dieser Anleitung mit Sorgfalt vorgegangen wurde, übernimmt die Seiko Epson Corporation keine Verantwortung für Fehler und Auslassungen. Zudem wird keine Haftung übernommen für Schäden, die aus der Verwendung der hierin enthaltenen Informationen entstehen.

Weder die Seiko Epson Corporation noch ihre Tochtergesellschaften sind dem Käufer dieses Produkts oder Dritten gegenüber für Schäden, Verluste, Kosten oder Ausgaben haftbar, die für den Käufer oder etwaige Dritten aufgrund von Unfall, Mißbrauch oder Zweckentfremdung dieses Produkts, nicht autorisierten Modifikationen, Reparaturen oder Produktumbauten sowie (mit Ausnahme USA) aufgrund des Versäumnisses anfallen, die Bedienungs- und Wartungsanleitungen der Seiko Epson Corporation genau einzuhalten.

Die Seiko Epson Corporation ist nicht haftbar für Schäden oder Probleme, die bei Verwendung von Optionen oder Verschleißteilen auftreten, die nicht als Original-Epson-Produkte oder von der Seiko Epson Corporation zugelassene Epson Produkte gelten.

EPSON und ESC/POS sind eingetragene Warenzeichen der Seiko Epson Corporation.

HINWEIS: Änderungen am Inhalt dieser Anleitung ohne Vorankündigung vorbehalten.

Copyright © 2005 Seiko Epson Corporation, Nagano, Japan.

Angewendete EMS- und Sicherheitsnormen

Produktname: TM-T88IV

Modellname: M129H

Die folgenden Normen gelten nur für entsprechend gekennzeichnete Drucker. (EMC wurde mit den Epson-Netzteilen getestet.)

Europa: CE-Zeichen

Sicherheit: EN 60950

Nordamerika: EMI: FCC/ICES-003 Klasse A

Sicherheit: UL 1950/CSA C22.2 No. 950

Japan: EMC: VCCI Class A

Ozeanien: EMC: AS/NZS CISPR22 Klasse B

China: EMC: GB9254

GB17625.1

Sicherheit: GB4943

Taiwan: EMC: CNS13438

Sicherheit: CNS14336

WARNUNG

Die EMC-Normen für dieses Gerät werden ungültig, wenn ein nicht abgeschirmtes Drucker-Schnittstellenkabel an den Drucker angeschlossen wird. Bitte beachten Sie, dass durch Änderungen oder Modifikationen, die nicht ausdrücklich von der Seiko Epson Corporation genehmigt wurden, die Bedienung des Geräts unter Umständen unzulässig wird.

CE-Zeichen

Der Drucker entspricht den folgenden Vorschriften und Normen:

Direktive 89/336/EEC EN 55022 Klasse B
 EN 55024
 IEC 61000-4-2
 IEC 61000-4-3
 IEC 61000-4-4
 IEC 61000-4-5
 IEC 61000-4-6
 IEC 61000-4-11

GERÄUSCHPEGEL

Gemäß der Dritten Verordnung zum Gerätesicherheitsgesetz (Maschinenlärminformations- Verordnung- 3. GSGV) ist der arbeitsplatzbezogene Geräusch-Emissionswert kleiner als 70 dB(A) (basierend auf ISO 7779).

Sicherheitshinweise

Dieser Abschnitt enthält wichtige Informationen für die sichere und effektive Verwendung dieses Produkts. Lesen Sie diesen Abschnitt sorgfältig durch und bewahren Sie ihn gut zugänglich auf.

⚠️ WARNUNG:

Schalten Sie das Gerät sofort aus, wenn Sie Rauch bzw. ungewöhnliche Gerüche oder Geräusche bemerken. Wenn das Gerät weiter verwendet wird, kann dies zu einem Brand führen. Ziehen Sie den Netzstecker des Gerätes sofort aus der Netzsteckdose und benachrichtigen Sie Ihren Händler oder ein Seiko Epson Service Center.

Versuchen Sie niemals, dieses Produkt eigenständig zu reparieren. Unsachgemäße Reparaturarbeiten können gefährlich sein.

Zerlegen oder modifizieren Sie dieses Produkt nicht. Unsachgemäße Arbeiten an diesem Produkt können zu Verletzungen oder einem Brand führen.

Stellen Sie sicher, dass Sie die für dieses Produkt geeignete Stromquelle verwenden. Anschluss an andere Stromquellen können zu einem Brand führen.

Vermeiden Sie das Eindringen von Fremdobjekten in dieses Produkt. Das Eindringen von Fremdobjekten kann zu einem Brand führen.

Wenn Wasser oder andere Flüssigkeiten in dieses Produkt eindringen, ziehen Sie sofort den Netzstecker heraus und benachrichtigen Sie einen Fachhändler oder Ihr Seiko Epson Service Center. Wenn das Gerät weiter verwendet wird, kann dies einen Brand verursachen.

Die Abdeckung des DIP-Schalters muss nach dem Öffnen und der Einstellung des DIP-Schalters unbedingt geschlossen und fest verschraubt werden. Bei Gebrauch dieses Gerätes mit offener Abdeckung besteht die Gefahr von Brand oder elektrischem Schlag.

⚠️ VORSICHT:

Schließen Sie Kabel nur auf die in diesem Handbuch beschriebene Weise an. Andere Kabelverbindungen können das Gerät beschädigen und einen Brand verursachen.

Stellen Sie dieses Gerät unbedingt auf einer festen, stabilen, horizontalen Fläche auf. Das Produkt kann beim Fallen beschädigt werden oder Verletzungen verursachen.

Verwenden Sie das Gerät nicht an Orten mit hohem Feuchtigkeits- oder Staubgehalt. Eine übermäßige Feuchtigkeits- oder Staubbildung kann das Gerät beschädigen oder einen Brand verursachen.

Stellen Sie keine schweren Gegenstände auf dieses Produkt. Stellen Sie sich nie auf das Produkt und lehnen Sie sich nicht dagegen. Das Gerät kann fallen oder beschädigt werden und dabei Gegenstände beschädigen oder Personen verletzen.

Aus Sicherheitsgründen ziehen Sie bitte den Netzstecker aus der Netzsteckdose wenn Sie beabsichtigen, das Gerät über einen längeren Zeitraum nicht zu verwenden.

Beim Einsatz von Druckluftgeräten, wie beispielsweise Druckluftreiniger bei der Reparatur und Wartung, ist die Verwendung derartiger Produkte mit entzündlichem Gas untersagt.

Warnschilder



VORSICHT:

Der Thermodruckkopf ist heiß.



VORSICHT:

Bei Berührung des manuellen Papierabschneiders besteht Verletzungsgefahr.

Auspacken

Folgende Teile sind im Lieferumfang des Druckers mit Standardspezifikationen enthalten. Falls eine der Systemkomponenten beschädigt ist, wenden Sie sich bitte an Ihren Fachhändler.

- Drucker
- Rollenpapier
- Netzschalterabdeckung
- Anschlussabdeckung*
- Netzadapter*

*Möglicherweise nicht im Lieferumfang des Druckers enthalten.

Wichtige Hinweise zur Installation

- Bei Verwendung einer seriellen Schnittstelle verwenden Sie ein Nullmodemkabel.
- Bei Verwendung einer parallelen Schnittstelle verwenden Sie ein IEEE 1284-Kabel.
- Bei Verwendung einer USB-Schnittstelle installieren Sie den Treiber, bevor Sie den Drucker anschließen.

Herunterladen von Treibern, Dienstprogrammen und Handbüchern

Treiber, Dienstprogramme und Handbücher können von folgenden Webadressen heruntergeladen werden.

Für Kunden in Nordamerika: Besuchen Sie die Website <http://www.epsonexpert.com/> und befolgen Sie die auf dem Bildschirm angezeigten Anweisungen.

Kunden in anderen Ländern besuchen die Website <http://www.epson-pos.com/>
Wählen Sie den Namen des Produkts im Menü "Select any product" aus.

Horizonte oder vertikale Druckerinstallation

Der Drucker kann horizontal (mit Papierausgang oben) oder vertikal (mit Papierausgang vorn) mit der optionalen Wandhalterung WH-10 an der Wand befestigt werden.



WARNING:

Bei Befestigung des Druckers an der Wand mit Hilfe der Wandhalterung darauf achten, dass eine Anschlussabdeckung am Drucker angebracht ist.

Bedienfeld

Papiervorschubtaste (FEED)

Schiebt Papier vor.



Betriebsanzeige

Die Betriebsanzeige leuchtet, wenn der Drucker eingeschaltet ist.

Fehleranzeige (ERROR LED)

Dieses Lämpchen leuchtet, wenn am Gerät ein Fehler aufgetreten ist.

Papieranzeige (PAPER OUT LED)

Weist darauf hin, dass das Papier zu Ende geht bzw. gegangen ist. Wenn das Lämpchen blinkt, befindet sich das Gerät im Bereitschaftsmodus (Standby).

Verwenden der Netzschalterabdeckung



WARNUNG:

Wenn bei angebrachter Netzschalterabdeckung ein Unfall auftritt, sofort den Netzstecker ziehen. Bei Weiterverwendung des Geräts besteht Feuer- und Stromschlaggefahr.

Die beiliegende Netzschalterabdeckung verhindert, dass der Netzschalter versehentlich gedrückt wird. Wenn diese Abdeckung verwendet wird, gehen Sie bei der Installation gemäß Abbildung **B** vor.

Anbringen und Abnehmen der Anschlussabdeckung

Befolgen Sie diese Anweisungen, wenn eine Anschlussabdeckung zum Schutz der Kabel im Lieferumfang enthalten ist. Die Abdeckung wird wie folgt befestigt:

1. Schließen Sie zunächst sämtliche Kabel an. An der Anschlussabdeckung können an 3 Stellen Kabelöffnungen hergestellt werden: An der rechten Seite, linken Seite und Rückseite.
2. Positionieren Sie die beiden Haken der Anschlussabdeckung wie auf Abb. **C** gezeigt so, dass sie im Druckergehäuse einrasten können.
3. Drücken Sie auf die Anschlussabdeckung, bis sie im Druckergehäuse einrastet.

Zum Entfernen der Anschlussabdeckung drehen Sie den Drucker um, drücken Sie die Abdeckung nach unten und die beiden Seiten nach innen, um die Haken der Abdeckung vom Druckergehäuse zu lösen. Siehe Abb. **D**.

Einlegen des Rollenpapiers

1. Drücken Sie den Knopf, um die Abdeckung zu öffnen. Siehe Abb. **E**.
2. Nehmen Sie den leeren Rollenkern heraus, und legen Sie das neue Rollenpapier ein. Siehe Abb. **F**.
3. Die korrekte Ausrichtung des Papiers ist auf Abb. **G** dargestellt.
4. Ziehen Sie das Papier, wie auf Abb. **H** gezeigt, heraus. Schließen Sie die Abdeckung, und reißen Sie das Papier, wie auf Abb. **I** gezeigt, ab.

Fehlersuche

Auf dem Bedienfeld leuchten keine Lämpchen

Kabelverbindungen und Netzanschluss prüfen.

FEHLER-LED (ERROR) leuchtet (konstant-nicht blinkend); das Gerät druckt nicht

Wenn die Papieranzeige (PAPER OUT) leuchtet, ist das Rollenpapier fast alle, oder es wurde kein Papier eingelegt.

Wenn die Papieranzeige (PAPER OUT) nicht leuchtet, ist die Druckerabdeckung nicht richtig geschlossen.

FEHLER-LED (ERROR) blinkt und das Gerät druckt nicht (und es liegt kein Papierstau vor)

Der Druckvorgang wird unterbrochen, wenn der Druckkopf zu heiß wird, und wird nach dem Abkühlen des Druckkopfes wieder fortgesetzt. Falls keine Überhitzung vorliegt, schalten Sie den Drucker aus und nach 10 Sekunden wieder ein.

Entfernen eines Papierstaus

VORSICHT:

Den Thermokopf nicht berühren; er kann nach dem Drucken sehr heiß sein.

1. Schalten Sie den Drucker aus und drücken Sie auf den Knopf zum Öffnen der Abdeckung.
2. Nehmen Sie das verklemmte Papier heraus, legen Sie die Rolle neu ein und schließen Sie die Abdeckung.
3. Wenn am Papierabschneider ein Papierstau auftritt und sich die Druckerabdeckung nicht öffnen lässt, öffnen Sie die Papierabschneiderabdeckung wie auf Abb. **J** dargestellt.
4. Drehen Sie das Rädchen, bis ein Dreieck in der Öffnung sichtbar ist. Auf diese Weise wird das Messer in die Ausgangsstellung gebracht. Am Papierabschneider befindet sich ein entsprechendes Hinweisschild. Siehe Abb. **K**.
5. Schließen Sie die Abdeckung des Papierabschneiders.
6. Öffnen Sie die Druckerabdeckung, und beseitigen Sie den Papierstau.

Reinigen des Thermokopfes

VORSICHT:

Nach dem Drucken ist der Thermokopf unter Umständen sehr heiß. Den Thermokopf nicht berühren und vor dem Reinigen abkühlen lassen. Um eine Beschädigung des Thermokopfes zu vermeiden, berühren Sie diesen nicht mit den Fingern oder harten Gegenständen.

Schalten Sie den Drucker aus, öffnen Sie die Druckerabdeckung und reinigen Sie das Thermoelement des Thermokopfes mit einem mit Alkohollösung (Ethanol, Methanol oder IPA) befeuchteten Wattestäbchen.

Epson empfiehlt, den Thermokopf regelmäßig zu reinigen (im Allgemeinen alle drei Monate), um die ursprüngliche Druckqualität beizubehalten.

TM-T88IV

Gebruikershandleiding

Tabellen voor DIP-schakelaars en specificaties

De tabellen voor de DIP-schakelaars en de technische specificaties staan voor in deze handleiding.

Illustraties

Alle illustraties treft u voor in deze handleiding aan. Ze worden aangeduid door letters (A, B, C . . .). Sommige illustraties bevatten cijfers. Zie de onderstaande lijst voor de betekenis van de cijfers.

Afbeelding A:

Onderdelen van de printer

1. Printerdeksel
2. Snijderdeksel
3. Knop voor openen klep
4. Bedieningspaneel

Afbeelding C:

5. Haak
6. Onderkant van de printer

Alle rechten voorbehouden. Niets uit deze uitgave mag worden verveelvoudigd, opgeslagen in een geautomatiseerd gegevensbestand of openbaar worden gemaakt in enige vorm of op enige wijze, hetzij elektronisch, mechanisch, door fotokopiëren, opnamen of enige andere manier, zonder voorafgaande schriftelijke toestemming van Seiko Epson Corporation. Er wordt geen aansprakelijkheid voor octrooien aanvaard in verband met gebruik van de informatie in deze uitgave. Hoewel bij het samenstellen van deze uitgave de grootste zorgvuldigheid is betracht, aanvaardt Seiko Epson Corporation geen aansprakelijkheid voor fouten of omissies. Noch wordt aansprakelijkheid aanvaard voor schade die voortvloeit uit gebruik van de informatie in deze uitgave.

Noch Seiko Epson Corporation noch een van haar dochterondernemingen kan aansprakelijk worden gesteld door de koper of door derden voor schade, verliezen of kosten die door de koper of derden zijn gemaakt als gevolg van ongelukken, onjuist gebruik of misbruik van dit product of door onbevoegden uitgevoerde modificaties, reparaties of wijzigingen van dit product of (tevens in de VS) het niet in acht nemen van de aanwijzingen voor gebruik en onderhoud van Seiko Epson Corporation.

Seiko Epson Corporation is niet aansprakelijk voor schade of problemen die voortvloeien uit gebruik van andere optionele producten of verbruiksgoederen dan die welke door Seiko Epson Corporation zijn aangemerkt als "originele Epson-producten" of als "door Epson goedgekeurde producten".

EPSON en ESC/POS zijn gedeponeerde handelsmerken van Seiko Epson Corporation.

BEKENDMAKING: Wijzigingen in de inhoud van deze handleiding onder voorbehoud.

Copyright © 2005 by Seiko Epson Corporation, Nagano, Japan.

Normen voor elektromagnetische compatibiliteit en veiligheid

Naam product: TM-T88IV

Naam model: M129H

De volgende normen gelden alleen voor printers die van de desbetreffende aanduiding zijn voorzien. (EMC getest met Epson-voedingen.)

Europa:	CE-keur	
	Veiligheid:	EN 60950
Noord-Amerika:	EMI:	FCC/ICES-003 Class A
	Veiligheid:	UL 1950/CSA C22.2 No. 950
Japan:	EMC:	VCCI Class A
Oceanië:	EMC:	AS/NZS CISPR22 Class B
China:	EMC:	GB9254
		GB17625.1
	Veiligheid:	GB4943
Taiwan:	EMC:	CNS13438
	Veiligheid:	CNS14336

WAARSCHUWING

Bij aansluiting van een niet-afgeschermd printerverbindingkabel op deze printer voldoet de printer niet aan de geldende normen voor EMC. U wordt erop gewezen dat wijzigingen of aanpassingen die niet uitdrukkelijk door Seiko Epson Corporation zijn goedgekeurd, u het recht op gebruik van de apparatuur kunnen ontnemen.

CE-keurmerk

De printer voldoet aan de volgende richtlijnen en normen:

Richtlijn 89/336/EEC	EN 55022 klasse B
	EN 55024
	IEC 61000-4-2
	IEC 61000-4-3
	IEC 61000-4-4
	IEC 61000-4-5
	IEC 61000-4-6
	IEC 61000-4-11

Veiligheidsmaatregelen

Dit gedeelte bevat belangrijke informatie voor veilig en effectief gebruik van dit product. Lees dit gedeelte aandachtig door en bewaar het op een goed toegankelijke plaats.

⚠ WAARSCHUWING:

Het apparaat onmiddellijk uitschakelen wanneer het rook, een vreemde geur of ongebruikelijk geluid afgeeft. Doorgaan met gebruik kan leiden tot brand of elektrische schokken. De stekker onmiddellijk uit het stopcontact trekken en contact opnemen met de leverancier of een servicecentrum van Seiko Epson voor advies.

Probeer niet zelf het product te repareren. Onjuist uitgevoerde reparaties kunnen gevaar veroorzaken.

Dit product niet demontieren of wijzigen. Wijzigen van dit product kan letsel of brand veroorzaken.

Ervoor zorgen dat u de juiste voedingsbron gebruikt. Aansluiten op een onjuiste voedingsbron kan brand veroorzaken.

Voorkomen dat er voorwerpen in het apparaat vallen. Binnendringen van vreemde voorwerpen kan brand veroorzaken.

Als er water of andere vloeistoffen in het apparaat terecht komt, de stekker onmiddellijk uit het stopcontact trekken en contact opnemen met de leverancier of een Seiko Epson servicecentrum voor advies. Doorgaan met gebruik kan leiden tot brand.

Als u het deksel van de DIP-schakelaars opent, mag u niet vergeten dit weer te sluiten en de schroef aan te draaien nadat u de DIP-schakelaar versteld hebt. Gebruik van dit product terwijl dit deksel open is, kan brand of elektrische schokken veroorzaken.

⚠ LET OP:

De kabels niet op een andere wijze aansluiten dan als vermeld in deze handleiding. Een andere wijze van aansluiting kan apparatuurschade of brand veroorzaken.

Dit apparaat moet op een stevige, stabiele en horizontale ondergrond geplaatst worden. Het product kan beschadigd raken of ongelukken veroorzaken als het valt.

Niet gebruiken op plaatsen met een hoge vochtigheidsgraad of veel stof. Overmatig vocht en/of stof kan apparatuurschade of brand tot gevolg hebben.

Geen zware voorwerpen boven op dit product plaatsen. Nooit op dit product gaan staan of leunen. De apparatuur kan defect raken of in elkaar klappen, wat breuk en eventueel letsel kan veroorzaken.

Om ongelukken te voorkomen altijd de stekker van dit product uit het stopcontact trekken als u het langere tijd niet gebruikt.

Bij gebruik van persluchtproducten, zoals spuitbussen, voor reiniging tijdens reparaties en onderhoud, mogen er geen producten met ontvlambaar gas worden gebruikt.

Waarschuwingsetiketten



LET OP:

De thermische kop wordt heet.



LET OP:

Raken van de handmatige papiersnijder kan letsel veroorzaken.

Uitpakken

De printer met standaard specificaties omvat de volgende items. Neem contact op met de leverancier als er onderdelen beschadigd zijn.

- Printer
- Rolpapier
- Deksel voor stroomschakelaar
- Connectorkap*
- Netspanningsadapter*

* Soms niet met de printer meegeleverd.

Belangrijke informatie over installatie

- Gebruik voor een seriële verbinding een null-modemkabel.
- Gebruik voor een parallelle verbinding een IEEE 1284-kabel.
- Installeer voor een USB-verbinding het stuurprogramma voordat u de printer aansluit.

Downloaden van stuur- en hulpprogramma's en gebruiksaanwijzingen

Stuur- en hulpprogramma's en gebruiksaanwijzingen kunnen van een van de volgende URL's gedownload worden.

Klanten in Noord-Amerika kunnen gebruik maken van de volgende website: <http://www.epsonexpert.com/> en de instructies op het scherm volgen.

Klanten in andere landen kunnen gebruik maken van de volgende website: <http://www.epson-pos.com/>

Selecteer de naam van het product uit het vervolgmenu 'Select any product' (Selecteer een product).

Horizontale of verticale installatie van de printer

U kunt de printer horizontaal op een plat oppervlak installeren (met de papieruitvoer naar boven) of verticaal (met de papieruitvoer naar voren) door hem aan de muur te hangen, met gebruik van de afzonderlijk te bestellen beugelset WH-10.



WAARSCHUWING:

Vergeet wanneer u de printer met de beugelset op de wand monteert niet om een connectorkap op de printer te bevestigen.

Bedieningspaneel

FEED-knop

Deze knop voert het papier in.



Aan/Uit-lampje

Dit lampje brandt als de printer aanstaat.

ERROR-lampje

Geeft aan dat er een fout is.

PAPER OUT-lampje

Geeft aan dat het papier bijna of helemaal op is. Knipperen geeft de stand-by modus aan.

Gebruik van het deksel voor de aan/uitknop



WAARSCHUWING:

Als er zich een ongeluk voordoet terwijl het deksel van de aan/uitknop is aangebracht, moet u onmiddellijk het voedingssnoer uit het stopcontact trekken. Verder gebruik kan brand of elektrische schokken veroorzaken.

U kunt het meegeleverde deksel voor de stroomschakelaar gebruiken om te voorkomen dat er per ongeluk op de knop wordt gedrukt. Gebruik dit deksel door het te installeren zoals afgebeeld in afb. **B**.

Aanbrengen en verwijderen van de connectorkap

Deze instructies gelden voor printers die zijn geleverd met een connectorkap voor bescherming van de kabels. Doe het volgende om de connectorkap aan te brengen:

1. Sluit eerst alle kabels aan. De connectorkap heeft drie kabelopeningen: rechts, links en achter.
2. Plaats de twee haakjes op de connectorkap zo dat ze vasthaken op de printerkast (zie afb. **C**).
3. Druk de connectorkap naar beneden om hem op de printerkast vast te zetten.

Om de connectorkap te verwijderen, keert u de printer om en duwt u de connectorkap omlaag terwijl u de zijkanten van de connectorkap naar binnen duwt om de haakjes van de printerkast los te halen. Zie afbeelding **D**.

Installeren van rolpapier

1. Druk op de knop om het deksel te openen. Zie afbeelding **E**.
2. Verwijder de rol van het opgebruikte rolpapier en plaats het nieuwe rolpapier. Zie afbeelding **F**.
3. De juiste papierrichting staat afgebeeld in afb. **G**.
4. Trek het papier een stuk uit (zie afb. **H**). Sluit het deksel en scheur het papier af (zie afb. **I**).

Probleemoplossing

Lichtjes op het bedieningspaneel branden niet

Inspecteer de aansluiting van de voedingskabels en het stopcontact.

ERROR-LED brandt (knippert niet) en er wordt niets afgedrukt

Als PAPER OUT brandt, is het rolpapier niet geïnstalleerd of is het bijna op.

Als PAPER OUT niet brandt, is het printerdeksel niet goed gesloten.

ERROR-LED knippert en er wordt niets afgedrukt (en er is geen papier vastgelopen)

Het drukken stopt als de kop oververhit raakt en wordt automatisch hervat nadat de kop is afgekoeld.

Zet de printer uit, wacht tien seconden en zet hem vervolgens weer aan als oververhitting niet de oorzaak is.

Verwijderen van vastgelopen papier

LET OP:

Raak de thermische kop niet aan, aangezien hij na het afdrukken zeer heet kan zijn.

1. Zet de printer uit en druk op de knop voor het openen van het printerdeksel.
2. Verwijder het vastgelopen papier, installeer de rol weer en sluit het deksel.
3. Als het papier is vastgelopen in de papiersnijder en u het printerdeksel niet kunt openen, opent u het deksel van de papiersnijder (zie afb. **J**).
4. Draai aan de knop totdat u een driehoekje ziet in de opening. Hierdoor wordt het snijmes teruggezet naar de normale positie. Naast de papiersnijder ziet u een etiket met aanwijzingen. Zie afbeelding **K**.
5. Sluit het deksel van de papiersnijder.
6. Open het printerdeksel en verwijder het vastgelopen papier.

Reinigen van de thermische kop

LET OP:

Na het afdrukken kan de thermische kop zeer heet zijn. Raak hem niet aan en wacht totdat hij is afgekoeld voordat u hem schoonmaakt. Beschadig de thermische kop niet door hem met uw vingers of harde voorwerpen aan te raken.

Zet de printer uit, open het printerdeksel en maak het verwarmingselement van de thermische kop schoon met een wattenstaafje dat in een alcoholoplosmiddel is gedrenkt (ethanol, methanol of isopropanol).

Epson beveelt aan de thermische kop regelmatig (gewoonlijk om de drie maanden) te reinigen om een goede afdrukkwaliteit te behouden.

TM-T88IV

Manuel de l'utilisateur

Tableaux et spécifications de micro-interrupteurs DIP

Les tableaux et spécifications techniques de micro-interrupteurs DIP figurent au début de ce manuel.

Illustrations

Toutes les illustrations se trouvent au début de ce manuel. Elles sont identifiées par des lettres (A, B, C . . .). Certaines des illustrations comportent des chiffres. Voir la liste ci-dessous pour la signification de ces chiffres.

Illustration A :

Pièces de l'imprimante

1. Capot de l'imprimante
2. Capot du coupe-papier
3. Bouton d'ouverture du capot
4. Panneau de commande

Illustration C :

5. Crochet
6. Bas de l'imprimante

Tous droits réservés. Sauf autorisation écrite préalable de Seiko Epson Corporation, la reproduction, le stockage dans un système de rappel de données et la transmission sous quelque forme ou par quelque moyen que ce soit (électronique, mécanique, par photocopie, enregistrement, etc...) d'une partie quelconque de la présente publication sont interdits. La société décline toute responsabilité relative à l'exploitation des informations contenues dans le présent document. Cet ouvrage a été rédigé avec le plus grand soin ; toutefois, Seiko Epson décline toute responsabilité pour les erreurs et omissions qu'il pourrait contenir, ainsi que pour tous dommages résultant de l'exploitation des informations qu'il contient.

La responsabilité de Seiko Epson Corporation ou de ses filiales ne saurait être engagée envers l'acheteur de ce produit ou envers des tiers pour dommages, pertes, frais ou débours encourus par ceux-ci par suite d'accident ou d'utilisation erronée ou abusive de ce produit, de modification, réparation ou transformation non autorisée de celui-ci, ou (à l'exclusion des Etats-Unis), de toute utilisation du produit qui n'est pas strictement conforme aux instructions d'utilisation et de maintenance de Seiko Epson Corporation.

Seiko Epson Corporation décline toute responsabilité pour dommages ou problèmes découlant de l'utilisation de tous articles en option ou de toutes fournitures consommables autres que celles désignée produit d'origine Epson ou produit approuvé Epson par Seiko Epson Corporation.

EPSON et ESC/POS sont des marques déposées de Seiko Epson Corporation.

REMARQUE : Les informations contenues dans ce manuel sont sujettes à modification sans préavis.

Copyright © 2005 par Seiko Epson Corporation, Nagano, Japon.

Conformité aux normes CEM et de sécurité

Nom du produit : TM-T88IV

Nom du modèle : M129H

Seules sont conformes aux normes ci-dessous les imprimantes étiquetées en conséquence. (La CME est vérifiée à l'aide de modules d'alimentation Epson.)

Europe :	Label CE	
	Sécurité :	EN 60950
Amérique du Nord :	Interférences électromagnétiques :	FCC/ICES-003 Classe A
	Sécurité :	UL 1950/CSA C22.2 N° 950
Japon :	CEM :	VCCI Classe A
Océanie :	CEM :	AS/NZS CISPR22 Classe B
Chine :	CEM :	GB9254 GB17625.1
	Sécurité :	GB4943
Taiwan :	CEM :	CNS13438
	Sécurité :	CNS14336

AVERTISSEMENT

La connexion à cette imprimante d'un câble d'interface non blindé rend ce dispositif non conforme aux normes CEM. L'utilisateur est prévenu que toute modification ou tout changement non expressément autorisé par Seiko Epson Corporation peut provoquer l'annulation de son autorisation d'utilisation de l'équipement.

Label CE

L'imprimante est conforme aux directives et normes suivantes :

Directive 89/336/EEC	EN 55022 Classe B EN 55024 IEC 61000-4-2 IEC 61000-4-3 IEC 61000-4-4 IEC 61000-4-5 IEC 61000-4-6 IEC 61000-4-11
----------------------	--

À l'intention des utilisateurs canadiens

Cet appareil numérique de classe A est conforme à la norme canadienne ICES-003.

Précautions à suivre lors de l'installation du boîtier d'alimentation électrique

Une description des normes EMI figure sur le dessous de l'imprimante. Lorsque le boîtier d'alimentation électrique optionnel (OT-BX88) est installé, cette description est difficile à voir. Dans ce cas, désinstallez le boîtier d'alimentation le cas échéant.

Consignes de sécurité

Cette section présente des informations importantes relatives à l'utilisation efficace et sans danger de ce produit. On voudra bien la lire attentivement et la conserver à portée de main.

AVERTISSEMENT :

Mettre immédiatement l'équipement hors tension s'il dégage de la fumée ou une odeur étrange ou s'il émet des bruits inhabituels. En persistant à l'utiliser dans ces circonstances, on risquerait de provoquer un incendie. Débrancher immédiatement l'équipement et contacter le distributeur ou un centre de service Seiko Epson pour demander conseil.

Ne jamais essayer de réparer ce produit soi-même. Toute réparation erronée peut être dangereuse.

Ne jamais démonter ou modifier ce produit. Les interventions intempestives peuvent provoquer des blessures ou des incendies.

Vérifier que la source d'alimentation électrique est conforme aux spécifications. Toute connexion à une source d'alimentation non conforme peut provoquer un incendie.

Ne pas laisser tomber de corps étrangers dans l'équipement. La pénétration de corps étrangers peut provoquer un incendie.

En cas de pénétration d'eau ou d'un autre liquide renversé dans l'équipement, débrancher immédiatement le cordon d'alimentation et contacter le distributeur ou un centre de service Seiko Epson pour demander conseil. En persistant à utiliser l'équipement dans ces circonstances, on risquerait de provoquer un incendie.

Si le cache du micro-interrupteur DIP est ouvert, s'assurer de le fermer et de bien serrer la vis après avoir réglé le micro-interrupteur. L'utilisation de ce produit avec le cache ouvert peut provoquer un incendie ou un choc électrique.

ATTENTION :

Se conformer strictement aux instructions relatives à la connexion de câbles du présent manuel. Tout écart peut provoquer l'endommagement de l'équipement ou un incendie.

Veiller à poser cette unité sur une surface horizontale ferme et stable. Toute chute du produit peut casser celui-ci ou occasionner des blessures.

Ne pas utiliser le produit dans des endroits très poussiéreux ou exposés à une forte humidité. Toute humidité ou poussière excessive peut provoquer l'endommagement de l'équipement ou un incendie.

Ne pas poser d'objets lourds sur ce produit. Ne jamais s'y appuyer ou monter dessus. L'équipement pourrait tomber ou s'affaisser, et se casser ou causer des blessures.

Pour plus de sécurité, débrancher ce produit lorsqu'il ne doit pas servir pendant une période de temps prolongée.

Lors de l'utilisation d'équipement fonctionnant à l'air comprimé, tels que les dépoussiéreurs pneumatiques pour le nettoyage lors des réparations et de l'entretien, il est interdit d'utiliser des produits contenant des gaz inflammables.

Étiquettes de mise en garde

ATTENTION :

La tête thermique est brûlante.

ATTENTION :

Toucher le coupe-papier peut entraîner des blessures.

Déballage

Les éléments suivants sont fournis avec l'imprimante standard. Contacter le revendeur si l'un d'entre eux est endommagé.

- Imprimante
- Cache d'interrupteur
- Adaptateur secteur*
- Rouleau de papier
- Cache de connecteur*

* Peut ne pas être compris avec l'imprimante.

Remarques importantes concernant l'installation

- Dans le cas d'une interface série, utilisez un câble nul modem.
- Dans le cas d'une interface parallèle, utilisez un câble IEEE 1284.
- Dans le cas d'une interface USB, installez le pilote avant de connecter l'imprimante.

Téléchargement des pilotes, utilitaires et manuels

Il est possible de télécharger les pilotes, utilitaires et manuels à partir de l'une des URL suivantes.

En Amérique du Nord, accédez au site web suivant :

<http://www.epsonexpert.com/> et suivez les instructions qui s'affichent à l'écran.

Dans les autres pays, accédez au site web suivant : <http://www.epson-pos.com/>

Sélectionnez le nom du produit dans le menu déroulant « Select any product » (Sélectionnez un produit quelconque).

Installation horizontale ou verticale de l'imprimante

L'imprimante peut être installée à l'horizontale sur une surface plane (sortie papier en haut) ou à la verticale (sortie papier à l'avant) en l'accrochant à un mur au moyen du jeu de supports muraux WH-10 offert en option.



AVERTISSEMENT :

Lorsque l'imprimante est suspendue au mur avec le jeu de supports muraux, s'assurer d'installer un cache de connecteur sur l'imprimante.

Panneau de commande

Bouton d'avance papier (FEED)

Ce bouton sert à faire avancer le papier.

① Témoin d'alimentation

Ce voyant s'allume lorsque l'imprimante est en marche.

Témoin d'erreur (ERROR)

Ce voyant indique une erreur.

Témoin de papier épuisé (PAPER OUT)

Ce voyant s'allume quand le rouleau de papier arrive ou presque à la fin. Il clignote pour indiquer que l'imprimante est en mode d'attente.

Utilisation du cache d'interrupteur

AVERTISSEMENT :

En cas d'accident alors que le cache d'interrupteur est en place, débrancher immédiatement le cordon d'alimentation. Il existe sinon des risques d'incendie ou de choc électrique.

Le cache d'interrupteur fourni empêche tout actionnement accidentel de l'interrupteur marche-arrêt. Pour l'utiliser, l'installer de la manière indiquée dans l'illustration **B**.

Pose et retrait du cache de connecteur

Ces instructions s'appliquent dans le cas où un cache de connecteur servant à protéger les câbles est fourni avec l'imprimante. Pour poser cache, procéder comme suit :

1. Commencer par brancher tous les câbles. Le cache de connecteur présente trois sorties de câble possibles : à droite, à gauche et à l'arrière.
2. Positionner les deux crochets du cache de connecteur de manière à ce qu'ils accrochent le boîtier de l'imprimante, de la manière indiquée à l'illustration **C**.
3. Abaisser le cache de connecteur pour l'enclencher sur le boîtier de l'imprimante.

Pour enlever le cache de connecteur, retourner l'imprimante, et pousser le cache de connecteur vers le bas, tout en poussant les deux côtés du connecteur vers l'intérieur pour décrocher les crochets du boîtier de l'imprimante. Voir l'illustration **D**.

Installation du rouleau de papier

1. Appuyer sur le bouton pour ouvrir le capot. Voir l'illustration **E**.
2. Enlever le noyau du rouleau de papier usagé et insérer le rouleau de papier. Voir l'illustration **F**.
3. Le sens correct d'alimentation du papier est indiqué dans l'illustration **G**.
4. Tirer le papier, comme indiqué à l'illustration **H**. Fermer le capot puis déchirer le papier comme indiqué à l'illustration **I**.

Dépannage

Aucun témoin du panneau de commande ne s'allume

Vérifier les connexions du câble d'alimentation et la prise électrique.

Voyant d'erreur (ERROR) allumé (sans clignoter) en l'absence d'impression

Si le voyant de papier épuisé (PAPER OUT) est allumé, ceci indique que le rouleau de papier est absent ou presque terminé.

Si le voyant de papier épuisé (PAPER OUT) est éteint, ceci indique que le capot de l'imprimante est mal fermé.

Voyant d'erreur (ERROR) clignotant en l'absence d'impression (et de bourrage de papier)

L'impression cesse si la tête surchauffe et reprend une fois qu'elle s'est refroidie. Si une surchauffe n'est pas la cause de l'arrêt, éteindre l'imprimante, attendre 10 secondes, puis la rallumer.

Dégagement d'un bourrage de papier

ATTENTION :

Ne pas toucher la tête thermique d'impression car elle peut devenir très chaude durant l'impression.

1. Éteindre l'imprimante et appuyer sur le bouton d'ouverture du capot.
2. Enlever le papier qui a fait bourrage, réinstaller le rouleau et refermer le capot.
3. Si du papier est coincé dans le coupe-papier et qu'il est impossible d'ouvrir le capot de l'imprimante, ouvrir le capot du coupe-papier comme indiqué à l'illustration **J**.
4. Tourner le bouton jusqu'à ce qu'un triangle apparaisse dans l'orifice. Ceci remet la lame du coupe-papier en place à sa position normale. Au besoin, consulter l'étiquette apposée près du coupe-papier. Voir l'illustration **K**.
5. Refermer le capot du coupe-papier.
6. Ouvrir le capot de l'imprimante et enlever le papier qui a fait bourrage.

Nettoyage de la tête thermique d'impression

ATTENTION :

Après avoir imprimé, la tête thermique d'impression peut être brûlante. Veiller à ne pas la toucher et à la laisser refroidir avant de la nettoyer. Prendre soin de ne pas l'endommager en la touchant avec les doigts ou un objet dur.

Mettre l'imprimante hors tension, ouvrir le capot de l'imprimante, et nettoyer les éléments thermiques de la tête d'impression avec un coton-tige humecté d'un solvant à l'alcool (éthanol, méthanol ou alcool isopropylique).

Epson recommande de nettoyer la tête thermique à intervalles réguliers (tous les trois mois généralement) afin de maintenir la qualité d'impression des reçus.

TM-T88IV

Manual do utilizador

Tabelas e especificações dos comutadores DIP

As tabelas e especificações técnicas dos comutadores DIP encontram-se na parte inicial deste manual.

Ilustrações

Todas as ilustrações encontram-se na parte inicial deste manual. Identificam-se com letras (A, B, C . . .). Algumas contêm números. Consulte a relação abaixo para obter o significado dos números.

Ilustração A:

Peças da impressora

1. Tampa da impressora
2. Tampa do cortador
3. Botão para a abertura da tampa
4. Painel de controlo

Ilustração C:

5. Gancho
6. Fundo da impressora

Todos os direitos reservados. Esta publicação não pode ser integral ou parcialmente reproduzida, arquivada nem transmitida por meio de fotocópias, gravação ou qualquer outro sistema mecânico ou electrónico, sem a prévia autorização por escrito da Seiko Epson Corporation, que não assume qualquer responsabilidade de patente no que diz respeito ao uso das informações aqui contidas. Uma vez que foram tomadas todas as precauções na elaboração deste manual, a Seiko Epson Corporation não se responsabiliza por erros ou omissões, nem por quaisquer danos resultantes do uso das informações aqui contidas.

O comprador deste produto ou terceiros não podem responsabilizar a Seiko Epson Corporation, ou as suas filiais, por quaisquer danos, perdas, custos ou despesas, incorridos por ele ou por terceiros, resultantes de acidentes, abusos ou má utilização do produto, de modificações não autorizadas, reparações ou alterações do produto, ou resultantes ainda da inobservância estrita das instruções de utilização e manutenção estabelecidas pela Seiko Epson Corporation.

A Seiko Epson Corporation não se responsabiliza por quaisquer avarias ou problemas provocados pela utilização de opções ou produtos não reconhecidos como sendo produtos genuínos Epson ou produtos aprovados pela Epson.

EPSON e ESC/POS são marcas registadas da Seiko Epson Corporation.

AVISO: O conteúdo deste manual está sujeito a alterações sem aviso prévio.

© 2005, Seiko Epson Corporation, Nagano, Japão.

EMC e standards de segurança aplicados

Nome do produto: TM-T88IV

Nome do modelo: M129H

Os standards em baixo aplicam-se somente às impressoras cujos rótulos os incluem. (Os testes referentes às Normas EMC efectuam-se com a utilização de fontes de alimentação Epson.)

Europa:	Marca CE
	Segurança: EN 60950
América do Norte:	EMI: FCC/ICES-003 Classe A
	Segurança: UL 1950/CSA C22.2 No 950
Japão:	EMC: VCCI Classe A
Oceânia:	EMC: AS/NZS CISPR22 Classe B
China:	EMC: GB9254
	GB17625.1
	Segurança: GB4943
Taiwan (Formosa):	EMC: CNS13438
	Segurança: CNS14336

ATENÇÃO

A ligação da impressora através de um cabo de interface não blindado invalida as normas EMC deste dispositivo. Quaisquer alterações não aprovadas expressamente pela Seiko Epson Corporation podem anular a autorização concedida para utilizar o equipamento.

Certificação CE

A impressora está em conformidade com as seguintes directivas e normas:

Directiva 89/336/EEC	EN 55022 Classe B
	EN 55024
	IEC 61000-4-2
	IEC 61000-4-3
	IEC 61000-4-4
	IEC 61000-4-5
	IEC 61000-4-6
	IEC 61000-4-11

Declaração de conformidade com a FCC para os utilizadores americanos

Este equipamento foi testado e constatou-se que está em conformidade com os limites estabelecidos para um dispositivo digital Classe A, de acordo com a Parte 15 das Normas da FCC. Esses limites são estabelecidos para fornecer uma protecção aceitável contra interferências prejudiciais se o equipamento for utilizado num ambiente comercial.

Este equipamento gera, utiliza e pode irradiar energia em radiofrequência e, se não for instalado e utilizado de acordo com o manual de instruções, poderá causar interferências prejudiciais à comunicação via rádio.

A utilização deste equipamento em áreas residenciais poderá provocar interferências prejudiciais, devendo, nesses casos, o utilizador corrigir ele mesmo as interferências.

Instruções de segurança

Esta secção contém informações importantes sobre como utilizar este produto de uma forma eficaz e segura. Leia estas instruções e guarde-as num local acessível para que as possa consultar sempre que necessário.

⚠ ATENÇÃO:

Se o equipamento emitir fumo, um odor estranho ou um ruído invulgar, desligue-o imediatamente. Se o continuar a utilizar, poderá provocar um incêndio ou um choque eléctrico. Desligue imediatamente o equipamento da tomada e contacte o Serviço de Assistência a Clientes Epson.

Nunca tente reparar este produto; as reparações indevidas podem tornar-se perigosas.

Nunca desmonte ou modifique este produto; caso contrário pode ferir-se, provocar um incêndio ou um choque eléctrico.

Utilize a fonte de energia especificada; caso contrário, poderá provocar um incêndio ou um choque eléctrico.

Não insira objectos estranhos no interior do equipamento; caso contrário, poderá provocar um incêndio ou um choque eléctrico.

Se derramar água ou outro líquido no equipamento, desligue o cabo de corrente imediatamente e contacte o Serviço de Assistência a Clientes Epson. Se continuar a utilizar o equipamento, poderá provocar um incêndio ou um choque eléctrico.

Se abrir a tampa do comutador DIP, não se esqueça de fechá-la e de apertar o parafuso depois de ajustar o comutador DIP. A utilização deste produto com a tampa aberta pode resultar num incêndio ou choque eléctrico.

⚠ IMPORTANTE:

Ao ligar os cabos, siga estritamente as instruções do manual. Diferentes ligações podem danificar ou queimar o equipamento.

Instale o equipamento numa superfície firme, plana e estável, para evitar que o equipamento caia e fique danificado ou cause ferimentos.

Evite locais sujeitos a níveis de humidade e elevados e com demasiado pó. Humidade e pó em excesso podem danificar o equipamento, provocar um incêndio ou um choque eléctrico.

Não coloque objectos pesados em cima deste produto. Não se sente nem se apoie em cima do produto. O equipamento pode cair ou ceder e partir ou provocar ferimentos.

Para maior segurança, desligue este produto se não o for utilizar durante um longo período.

Quando estiver a utilizar produtos de ar comprimido, como tira-pó de ar comprimido, para a limpeza durante reparações e manutenção, é proibida a utilização de tais produtos se contiverem gás inflamável.

Etiquetas de aviso

⚠ ⚠ IMPORTANTE:

A cabeça térmica está quente.

⚠ IMPORTANTE:

Tocar o cortador manual pode resultar numa lesão.

Desembalagem

Os itens em baixo estão inclusos com a impressora de especificação standard. Caso algum item esteja danificado, contacte o seu revendedor.

- Impressora
- Papel em rolo
- Tampa do interruptor de alimentação
- Tampa do conector *
- Adaptador AC *

* *Este item pode não estar incluso com a sua impressora.*

Importantes Notas sobre a Instalação

- Para um interface serial, utilize um cabo de modem nulo.
- Para um interface paralelo, utilize um cabo IEEE 1284.
- Para um interface USB, instale o driver antes de ligar a impressora.

Download de Drivers, Utilitários e Manuais

Pode-se fazer o download dos drivers, utilitários e manuais a partir de um dos URL abaixo.

Para clientes na América do Norte, visitar o seguinte sítio da web:

<http://www.epsonexpert.com/> e seguir as instruções no écran.

Para clientes noutros países, visitar o seguinte sítio da web:

<http://www.epson-pos.com/>

Selecione o nome do produto a partir do menu suspenso "Select any product" (Selecionar qualquer produto).

Instalação da impressora horizontal ou verticalmente

A impressora pode ser instalada horizontalmente sobre uma superfície plana (com a saída de papel na parte de cima) ou verticalmente (com a saída de papel na parte frontal) fixando-a a uma parede, utilizando o conjunto opcional de suporte para fixação WH-10.

ATENÇÃO:

Ao afixar a impressora a uma parede com o conjunto de suporte para fixação, certifique-se de que afixa uma tampa do conector à impressora.

Painel de controlo

Tecla de alimentação (FEED)

Esta tecla alimenta o papel.

Indicador luminoso de ligação

Este indicador acende quando a impressora está ligada.

Indicador luminoso de erro (ERROR)

Este indicador assinala um erro.

Indicador luminoso de falta de papel (PAPER OUT)

Quando aceso, indica falta de papel ou que o papel está prestes a terminar.

Quando pisca, indica modo de espera.

Utilização da tampa do interruptor de ligação

ATENÇÃO:

Se ocorrer um acidente quando a tampa do interruptor de ligação estiver instalada, desligue imediatamente o cabo de alimentação. Se não o fizer, poderá provocar um incêndio ou um choque eléctrico.

A tampa protegida do interruptor de alimentação assegura que tal interruptor não será premido acidentalmente. Para utilizar esta tampa, instale como mostra a ilustração **B**.

Como prender e remover a tampa do conector

Estas instruções aplicam-se se a embalagem da sua impressora contiver uma tampa do conector para proteger os seus cabos. Para prendê-la, siga as etapas em baixo:

1. Primeiro, ligue todos os cabos. A tampa do conector tem três possíveis saídas para cabos: à direita, à esquerda e atrás.
2. Posicione os dois ganchos da tampa do conector de forma que se prendam à estrutura, como se mostra na ilustração **C**.
3. Empurre a tampa do conector para baixo para que encaixe na estrutura da impressora.

Para retirar a tampa do conector, vire a impressora, empurre a tampa do conector para baixo e ao mesmo tempo empurre ambos os lados da tampa do conector para dentro, de forma que se soltem os ganchos da estrutura da impressora. Veja a ilustração **D**.

Instalação do papel em rolo

1. Prima o botão para abrir a tampa. Veja a ilustração **E**.
2. Retire o tubo central do papel em rolo esgotado e insira o papel em rolo. Veja a ilustração **F**.
3. A ilustração **G** mostra a direcção correcta do papel.
4. Puxe um pouco do papel, como mostra a ilustração **H**. Feche a tampa e corte o papel, como mostra a ilustração **I**.

Resolução de problemas

Os indicadores luminosos não acendem no painel de controlo

Verifique as ligações do cabo de alimentação e da tomada.

LED DE ERRO iluminado (não intermitente) sem impressão

Se FINAL DO ROLO DE PAPEL estiver iluminado, o papel em rolo não está instalado ou está prestes a encerrar.

Se FINAL DO ROLO DE PAPEL não estiver iluminado, a tampa da impressora não está adequadamente fechada.

LED DE ERRO intermitente, sem impressão (e sem emperramento do papel)

A impressão pára se a cabeça sobreaquece e volta automaticamente quando arrefece.

Se a causa não for o sobreaquecimento, desligue a impressora e ligue-a 10 minutos depois.

Remoção do papel emperrado

  **CUIDADO:**

Não toque a cabeça térmica pois pode ficar muito quente após a impressão.

1. Desligue a impressora e prima o botão para a abertura da tampa.
2. Retire o papel emperrado, reinstale o rolo e feche a tampa.
3. Se o papel estiver preso no cortador e não puder abrir a tampa da impressora, abra a tampa do cortador, como mostra a ilustração **J**.
4. Mova o botão giratório até ver um triângulo na abertura. Isso fará com que a lâmina do cortador volte à posição normal. Há uma etiqueta perto do cortador para ajudá-lo. Veja a ilustração **K**.
5. Feche a tampa do cortador.
6. Abra a tampa da impressora e retire o papel emperrado.

Limpeza da cabeça térmica

  **CUIDADO:**

Após a impressão, a cabeça térmica pode ficar muito quente. Tenha o cuidado de não tocá-la e de deixá-la arrefecer antes da limpeza. Não danifique a cabeça térmica tocando-a com os dedos ou com um objecto duro.

Desligue a impressora, abra a tampa da impressora e limpe os elementos térmicos da cabeça térmica com um bastonete de algodão humedecido com um solvente à base de álcool (etanol, metanol ou IPA).

Para manter a boa qualidade impressão, a Epson aconselha a limpar periodicamente a cabeça térmica (de três em três meses).

TM-T88IV

Manual del usuario

Tablas y especificaciones de los interruptores DIP

Las tablas de los interruptores DIP y las especificaciones técnicas se hallan al principio de este manual.

Ilustraciones

Todas las ilustraciones están al principio de este manual. Están identificadas por letras (A, B, C,...). Algunas de las ilustraciones tienen números en ellas. Vea la lista que sigue para conocer el significado de los números.

Ilustración A:

Piezas de la impresora

1. Tapa de la impresora
2. Tapa del cortador
3. Botón para abrir la tapa
4. Panel de control

Ilustración C:

5. Gancho
6. Fondo de la impresora

Se reservan todos los derechos. Ninguna porción de esta publicación podrá reproducirse, guardarse en un sistema de recuperación de datos o transmitirse en forma o modo alguno, sea electrónico, mecánico, fotocopiado, grabado o de otra forma, sin el permiso previo y por escrito de Seiko Epson Corporation. No se asume responsabilidad de patente con respecto al uso de la información contenida aquí. Si bien se han tomado todas las precauciones en la preparación de este libro, Seiko Epson Corporation no asume ninguna responsabilidad por errores u omisiones. Tampoco asume responsabilidad alguna que surja por el uso de la información contenida aquí.

Ni Seiko Epson Corporation ni sus compañías afiliadas serán responsables ante el comprador de este producto o ante terceros por daños, pérdidas, costos, o gastos incurridos por el comprador o por terceros como resultado de: accidente, uso indebido, o abuso de este producto o de modificaciones, reparaciones o alteraciones no autorizadas de este producto, o (excluyendo a los EE.UU.) por no cumplir estrictamente con las instrucciones de operación y mantenimiento de Seiko Epson Corporation.

Seiko Epson Corporation no será responsable de cualquier daño o problema que surja por el uso de cualquier opción o producto de consumo que no esté designado como Producto Epson Original o Aprobado por Seiko Epson Corporation.

EPSON y ESC/POS son marcas registradas de Seiko Epson Corporation.

AVISO: El contenido de este manual está sujeto a cambios sin previo aviso.

Copyright © 2005 Seiko Epson Corporation, Nagano, Japón.

Se aplican las normas EMC y de seguridad

Nombre del producto: TM-T88IV

Nombre del modelo: M129H

Las siguientes normas se aplican sólo a las impresoras así etiquetadas. (Las normas EMC se prueban usando fuentes de alimentación eléctrica Epson.)

Europa:	Marcado CE
	Seguridad: EN 60950
América del Norte:	EMI: FCC/ICES-003 Clase A
	Seguridad: UL 1950/CSA C22.2 No. 950
Japón:	EMC: VCCI Clase A
Oceanía:	EMC: AS/NZS CISPR22 Clase B
China:	EMC: GB9254
	GB17625.1
	Seguridad: GB4943
Taiwán:	EMC: CNS13438
	Seguridad: CNS14336

ADVERTENCIA

La conexión de un cable de interface no blindado a esta impresora invalidará las normas EMC de este dispositivo. Se le advierte que los cambios o modificaciones no aprobados expresamente por Seiko Epson Corporation podrían anular la autorización que tiene usted para operar el equipo.

Marcado CE

La impresora se ajusta a las siguientes Directivas y Normas:

Directiva 89/336/CEE	NE 55022 Clase B
	EN 55024
	IEC 61000-4-2
	IEC 61000-4-3
	IEC 61000-4-4
	IEC 61000-4-5
	IEC 61000-4-6
	IEC 61000-4-11

Declaración de cumplimiento de las normas de FCC para usuarios de los Estados Unidos

Este equipo ha sido probado y se ha verificado que cumple con los límites para un dispositivo digital de Clase A, de acuerdo con la Parte 15 de las Reglamentaciones de FCC. Estos límites han sido establecidos para proveer una protección razonable contra las interferencias perjudiciales cuando el equipo se utiliza en un entorno comercial.

Este equipo genera, utiliza, y puede radiar energía de radiofrecuencia y, de no ser instalado y utilizado de acuerdo con el manual de instrucciones, puede causar interferencias perjudiciales en las comunicaciones por radio.

Es probable que el uso de este equipo en una zona residencial cause interferencias perjudiciales, en cuyo caso el usuario deberá corregir las interferencias a su propia costa.

Precauciones de Seguridad

En esta sección, se presenta información importante cuyo propósito es cerciorarse de un uso seguro y efectivo de este producto. Por favor, lea esta sección con cuidado y guárdela en un lugar accesible.

ADVERTENCIA:

Apague su equipo de inmediato si éste produce humo, un olor raro, o un ruido inusual. El seguir utilizándolo podría ocasionar un incendio. Desenchufe el equipo de inmediato y comuníquese con su distribuidor o con un servicio técnico Epson.

Nunca trate de reparar este producto usted mismo. Una reparación incorrecta puede ser peligrosa.

Nunca desmonte o modifique este producto. La manipulación de este producto puede causar lesiones o un incendio.

Cerciórese de usar la fuente de alimentación eléctrica especificada. La conexión a una fuente de alimentación eléctrica inadecuada puede causar un incendio.

No deje que materiales extraños caigan dentro del equipo, ya que podría provocar un incendio.

Si se derrama agua o algún otro líquido dentro del equipo, desenchufe el cable eléctrico inmediatamente, y después comuníquese con su distribuidor o con un servicio técnico Epson. El seguir usándolo podría causar un incendio.

Si abre la tapa de los interruptores DIP, cerciórese de cerrar la tapa y de apretar el tornillo después de ajustar el interruptor DIP. Si este producto se usa con la tapa abierta se puede causar un incendio o un cortocircuito.

PRECAUCIÓN:

No conecte los cables en formas que difieran a las mencionadas en este manual. Conexiones diferentes podrían causar daños e incendios.

Cerciórese de poner este equipo sobre una superficie firme, estable, horizontal. El producto se puede romper o causar lesiones si se cae.

No lo use en lugares sujetos a altos niveles de humedad o de polvo. El exceso de humedad o de polvo podría causar daños o incendios al equipo.

No ponga objetos pesados encima de este producto. Nunca se apoye sobre este producto. El equipo podría caerse, causando roturas y posibles lesiones.

Por razones de seguridad, por favor desenchufe este producto antes de dejarlo sin usar por un largo periodo de tiempo.

Cuando se usen productos de aire comprimido; tales como los quita-polvos de aire para la limpieza durante la reparación y mantenimiento, el uso de tales productos que contengan gases inflamables está prohibido.

Etiquetas de Precaución

PRECAUCIÓN:

El cabezal térmico está caliente.

PRECAUCIÓN:

Se puede lastimar si toca el cortador manual.

Desembalaje

Se incluyen los siguientes artículos con la impresora de especificación estándar. Si algún artículo está dañado, llame a su distribuidor.

- Impresora
- Papel de rollo
- Tapa del interruptor de alimentación
- Tapa del conector *
- Adaptador de C.A. *

* Podrían no venir incluidos con su impresora.

Notas importantes sobre la instalación

- Para un interface serie, use un cable null modem.
- Para un interface paralelo, use un cable IEEE 1284.
- Para un interface USB, instale el programa gestor antes de conectar la impresora.

Cómo descargar programas gestores, utilerías y manuales

Los programas gestores, las utilerías y los manuales se pueden descargar en uno de los siguientes URLs.

Para los clientes en América del Norte, visiten el siguiente sitio en la Internet: <http://www.epsonexpert.com/> y siga las instrucciones que aparecen en pantalla.

Para los clientes en otros países, visiten el siguiente sitio en la Internet:

<http://www.epson-pos.com/>

Seleccione el nombre del producto en el menú desplegable "Select any product" (Seleccione cualquier producto).

Instalación de la impresora en forma horizontal o vertical

Puede instalar la impresora en posición horizontal sobre una superficie plana (con la salida del papel por arriba) o en posición vertical (con la salida de papel por delante) colgada de una pared utilizando el accesorio opcional WH-10.



ADVERTENCIA:

Al colgar la impresora en la pared con el accesorio opcional, asegúrese de colocar una tapa del conector a la impresora

Panel de control

Botón de alimentación de papel (FEED)

Con este botón se alimenta papel.



Indicador de alimentación eléctrica

Encendido cuando la impresora está encendida.

Indicador de ERROR

Se enciende cuando detecta un error.

Indicador de falta de papel (PAPER OUT)

Encendido indica que el papel se acabó o se está acabando. Parpadeando indica que está en espera.

Uso de la tapa del interruptor de alimentación

ADVERTENCIA:

Si ocurre un accidente cuando esté puesta la tapa del interruptor de alimentación, desenchufe el cable eléctrico de inmediato. Seguir usándola podría causar un incendio o un cortocircuito.

La tapa del interruptor de alimentación, adjunta, evita que se presione accidentalmente el interruptor de alimentación. Para usar esta tapa, instálela como se muestra en la ilustración **B**.

Montaje y extracción de la tapa del conector

Estas instrucciones se aplican si se embaló una tapa de conector con su impresora para proteger los cables. Para instalarla siga estos pasos:

1. Primero, conecte todos los cables. La tapa del conector tiene tres salidas posibles para el cable: derecha, izquierda y parte trasera.
2. Coloque los dos ganchos en la tapa del conector de tal manera que se enganchen en el cuerpo de la impresora, como se muestra en la ilustración **C**.
3. Empuje la tapa del conector hacia abajo para que se trabe en el cuerpo de la impresora.

Para quitar la tapa del conector, gire la impresora, y empuje la tapa del conector hacia abajo mientras empuja ambos lados de la tapa del conector hacia adentro para desmontar los ganchos del cuerpo de la impresora. Vea la ilustración **D**.

Instalación del papel de rollo

1. Presione el botón para abrir la tapa. Vea la ilustración **E**.
2. Quite cualquier núcleo del papel de rollo usado, e inserte el papel de rollo. Vea la ilustración **F**.
3. La dirección correcta del papel se muestra en la ilustración **G**.
4. Tire del papel, como se muestra en la ilustración **H**. Cierre la tapa, y corte el papel, como se muestra en la ilustración **I**.

Localización de problemas

No se encienden las luces en el panel de control

Revise las conexiones del cable de la fuente de alimentación y de la toma de corriente.

Luz de ERROR encendida (no parpadeando) y no hay impresión

Si PAPER OUT está encendido, el papel de rollo no está instalado o se está acabando.

Si PAPER OUT está apagado, la tapa de la impresora no está cerrada correctamente.

Indicador de ERROR parpadeando pero no hay impresión (ni tampoco un atasco de papel)

La impresión se detiene cuando el cabezal se sobrecalienta, y se reanuda cuando se enfría.

Si la causa no es el sobrecalentamiento, apague la impresora, y después de 10 segundos, vuélvala a encender.

Solucionar un atasco de papel

PRECAUCIÓN:

No toque el cabezal térmico pues éste puede estar muy caliente después de imprimir.

1. Apague la impresora y presione el botón para abrir la tapa.
2. Quite el papel atascado, vuelva a instalar el rollo, y cierre la tapa.
3. Si el papel está atascado en el cortador y usted no puede abrir la tapa de la impresora, abra la tapa del cortador como se muestra en la ilustración **J**.
4. Gire el botoncillo hasta que aparezca un triángulo en la abertura. Esto devuelve la cuchilla del cortador a la posición normal. Hay una etiqueta cerca del cortador para indicarle esta operación. Vea la ilustración **K**.
5. Cierre la tapa del cortador.
6. Abra la tapa de la impresora y retire el papel atascado.

Limpieza del cabezal térmico

PRECAUCIÓN:

Después de imprimir, el cabezal térmico puede estar muy caliente. Procure no tocarlo y déjelo enfriar antes de limpiarlo. No dañe el cabezal térmico tocándolo con los dedos o con algún objeto duro.

Apague la impresora, abra la tapa de la impresora y limpie los elementos térmicos del cabezal térmico con un bastoncillo de algodón humedecido en una solución de alcohol (etanol, metanol, o alcohol isopropílico).

Epson recomienda una limpieza periódica del cabezal térmico (en general, cada tres meses) para mantener la calidad de impresión.

TM-T88IV

Manuale dell'utente

Tabelle degli interruttori DIP e specifiche tecniche

Le tabelle degli interruttori DIP e le specifiche tecniche si trovano all'inizio di questo manuale.

Figure

Tutte le figure si trovano all'inizio di questo manuale, e sono identificate da lettere (A, B, C...). Alcune figure contengono anche numeri. Per il significato dei numeri vedere l'elenco qui sotto.

Illustrazione A:

Parti della stampante

1. Copertura della stampante
2. Copertura della taglierina
3. Pulsante di apertura della copertura
4. Pannello di controllo

Illustrazione C:

5. Gancio
6. Fondo della stampante

Tutti i diritti riservati. Nessuna parte di questa pubblicazione può essere riprodotta, memorizzata in un sistema di reperimento, né trasmessa in qualsiasi forma o con qualsiasi mezzo (elettronico, meccanico, fotocopia, registrazione o altro) senza la preventiva autorizzazione scritta della Seiko Epson Corporation. Viene esclusa ogni responsabilità di brevetto rispetto all'uso delle informazioni contenute in questa pubblicazione. Malgrado questo manuale sia stato preparato con la massima cura, la Seiko Epson Corporation non si assume alcuna responsabilità per eventuali errori o omissioni in esso contenuti, né per eventuali danni risultanti dall'uso delle informazioni contenute in questo manuale.

Né la Seiko Epson Corporation, né alcuna delle sue affiliate, sarà ritenuta responsabile verso l'acquirente di questo prodotto, o terze parti, di eventuali danni, perdite, costi o spese sostenuti dall'acquirente o terze parti risultanti da: incidente, uso improprio o abuso di questo prodotto, o da modifiche non autorizzate, riparazioni, alterazioni a questo prodotto, oppure (esclusi gli Stati Uniti d'America) dalla totale inosservanza delle istruzioni per l'uso e la manutenzione impartite dalla Seiko Epson Corporation.

La Seiko Epson Corporation non sarà responsabile di alcun danno o problema insorto dall'uso di qualsiasi accessorio opzionale o di prodotti consumabili diversi da quelli designati dalla Seiko Epson Corporation come Prodotti originali Epson o Prodotti approvati dalla Epson.

EPSON e ESC/POS sono marchi registrati di Seiko Epson Corporation.

AVVISO: il contenuto di questo manuale è soggetto a cambiamenti senza preavviso.

Copyright © 2005 Seiko Epson Corporation, Nagano, Giappone.

Standard EMC e di sicurezza applicati a questo prodotto

Nome del prodotto: TM-T88IV

Nome del modello: M129H

Gli standard seguenti sono stati applicati solo alle stampanti così etichettate (il test EMC è stato fatto usando gli alimentatori Epson).

Europa:	Contrassegno CE
	Sicurezza: EN 60950
Nord America:	EMI: FCC/ICES-003 Classe A
	Sicurezza: UL 1950/ CSA C22.2 N. 950
Giappone:	EMC: VCCI Classe A
Oceania:	EMC: AS/NZS CISPR22 Classe B
Cina:	EMC: GB9254
	GB17625.1
	Sicurezza: GB4943
Taiwan:	EMC: CNS13438
	Sicurezza: CNS14336

AVVERTENZA

Il collegamento a questa stampante di un cavo d'interfaccia di stampante non schermato renderà non validi gli standard EMC di questa periferica. Si informa che cambiamenti o modifiche non espressamente approvati dalla Seiko Epson Corporation possono rendere nullo il diritto di usare il prodotto.

Contrassegno CE

La stampante è conforme alle direttive e norme seguenti:

Direttiva 89/336/EEC	EN 55022 Classe B
	EN 55024
	IEC 61000-4-2
	IEC 61000-4-3
	IEC 61000-4-4
	IEC 61000-4-5
	IEC 61000-4-6
	IEC 61000-4-11

Precauzioni di sicurezza

Questa sezione contiene informazioni importanti per l'uso efficiente e sicuro di questo prodotto. Leggere attentamente questa sezione e conservarla in un luogo prontamente accessibile.



AVVERTENZA:

Spegnere immediatamente l'unità se produce fumo, un odore strano o un rumore inconsueto. L'uso continuato potrebbe costituire causa d'incendio. Staccare immediatamente la spina dell'unità e rivolgersi al rivenditore o alla Seiko Epson per assistenza in merito.

Non riparare mai da soli questa unità. La riparazione impropria potrebbe creare un pericolo.

Non smontare né modificare mai questo prodotto. La manomissione del prodotto potrebbe causare lesioni personali, incendio.

Accertarsi di usare la fonte di alimentazione specificata. Il collegamento del prodotto ad una fonte di alimentazione impropria potrebbe causare incendio.

Evitare che nell'unità entrino corpi estranei. Questi potrebbero causare incendio.

Se acqua o altri liquidi cadono accidentalmente nell'unità, staccare immediatamente il cavo di alimentazione, quindi rivolgersi per consigli al rivenditore o al centro di assistenza della Seiko Epson. L'uso continuato dell'unità potrebbe causare incendio.

Se la copertura degli interruttori DIP viene aperta, accertarsi di chiuderla e avvitare la vite dopo aver regolato l'interruttore DIP. L'uso della stampante con la copertura aperta può causare incendio o scossa elettrica.

ATTENZIONE:

Non collegare i cavi in alcun modo diverso da quello indicato in questo manuale. Collegamenti non corretti possono causare danni all'unità e ustioni personali.

Posare questa unità su una superficie piana, solida e stabile. Se cade, questa unità può rompersi o causare lesioni personali.

Non usare questa unità in ambienti soggetti ad un elevato tasso di umidità o polvere. L'umidità o la polvere eccessiva può causare danni all'unità o incendio.

Non mettere oggetti pesanti sopra questa unità. Non porsi sopra questa unità né appoggiarsi. L'unità potrebbe cadere e rompersi o causare lesioni personali.

Per motivi di sicurezza, staccare sempre la spina dell'unità prima di lasciarla incustodita per un lungo periodo di tempo.

Quando durante la riparazione o la manutenzione dell'unità vengono usati, per la pulizia, prodotti ad aria compressa, quali gli air duster, è vietato usare tali prodotti se contengono gas infiammabili.

Etichette di avvertimento

ATTENZIONE:

La testina di stampa è molto calda.

ATTENZIONE:

Per evitare infortuni alla persona, non toccare la taglierina manuale.

Disimballaggio

Gli articoli seguenti sono inclusi con la stampante in configurazione standard. Se un articolo risulta danneggiato, rivolgersi al rivenditore della stampante.

- | | |
|---|---|
| <input type="checkbox"/> Stampante | <input type="checkbox"/> Carta in rotolo |
| <input type="checkbox"/> Copertura dell'interruttore dell'alimentazione | <input type="checkbox"/> Copertura del connettore * |
| <input type="checkbox"/> Adattatore CA * | |

* Può non essere inclusa con la stampante acquistata.

Importanti note per l'installazione

- Per interfaccia seriale, usare un cavo null modem.
- Per interfaccia parallela, usare un cavo IEEE 1284
- Per interfaccia USB, installare il driver prima di collegare la stampante.

Download dei driver, dei programmi di utility e dei manuali

I driver, i programmi di utility e i manuali possono essere scaricati dai siti ai seguenti indirizzi URL.

Per clienti in Nord America, andare al seguente sito Web:

<http://www.epsonexpert.com/> e seguire le istruzioni fornite sullo schermo.

Per clienti in altri Paesi, andare al seguente sito Web:

<http://www.epson-pos.com/>

Selezionare il nome del prodotto dal menu a discesa "Select any product".

Installazione orizzontale o verticale

La stampante può essere installata orizzontalmente (con la carta che esce dall'alto) o verticalmente (con la carta che esce di fronte) appesa alla parete usando il kit della staffa di sostegno opzionale WH-10.

⚠ AVVERTENZA:

Se la stampante viene appesa alla parete usando il kit della staffa di sostegno, ricordarsi di montare una copertura dei connettori sulla stampante.

Pannello di controllo

Pulsante FEED

Alimenta la carta nella stampante.

⌚ LED dell'alimentazione

Questo LED è acceso quando la stampante è accesa.

LED ERROR

Indica un errore.

LED PAPER OUT

Se acceso, indica che la carta è finita o sta per finire. Se lampeggia, indica lo stato di attesa.

Uso della copertura dell'interruttore dell'alimentazione

⚠ AVVERTENZA:

Se la stampante subisce un incidente e la copertura dell'interruttore dell'alimentazione è installata, staccare immediatamente il cavo di alimentazione. L'uso continuato della stampante può causare un incendio o una scossa elettrica.

L'acclusa copertura dell'interruttore dell'alimentazione assicura che l'interruttore dell'alimentazione non venga premuto accidentalmente. Per usare questa copertura, installarla così come mostrato nella figura **B**.

Installazione e rimozione della copertura dei connettori

Queste istruzioni si applicano se insieme alla stampante viene consegnata una copertura dei connettori con lo scopo di proteggere i cavi. Per installare la copertura, procedere come segue:

1. Innanzitutto collegare tutti i cavi. La copertura dei connettori ha tre uscite possibili per il cavo: a destra, a sinistra e dietro.

2. Posizionare i due ganci sulla copertura dei connettori in modo che aggancino la carrozzeria della stampante, come mostrato nella figura **C**.
3. Premere in basso la copertura dei connettori affinché scatti sulla carrozzeria della stampante.

Per rimuovere la copertura dei connettori, capovolgere la stampante, premere in basso la copertura dei connettori spingendo contemporaneamente all'interno entrambi i lati della copertura dei connettori per sganciare i ganci della carrozzeria della stampante. Vedere la figura **D**.

Installazione della carta in rotolo

1. Premere il pulsante per aprire la copertura. Vedere la figura **E**.
2. Rimuovere il rocchetto della carta in rotolo usata, e inserire la nuova carta in rotolo. Vedere la figura **F**.
3. La direzione corretta della carta è mostrata nella figura **G**.
4. Tirare in fuori la carta, come mostrato nella figura **H**. Chiudere la copertura e tagliare la carta, come mostrato nella figura **I**.

Risoluzione dei problemi

Sul pannello di controllo nessuna spia luminosa è accesa

Controllare i collegamenti del cavo di alimentazione e la presa di corrente.

La spia luminosa ERROR è accesa (non lampeggiante) senza stampa

Se PAPER OUT è acceso, la carta in rotolo non è installata o sta per finire.

Se PAPER OUT è spento, la copertura della stampante non è chiusa correttamente.

La spia luminosa ERROR lampeggia senza stampa (e senza inceppamento della carta)

La stampa si interrompe se la testina si surriscalda, e riprende automaticamente quando la testina si raffredda.

Se la causa non è il surriscaldamento, spegnere la stampante e riaccenderla dopo 10 secondi.

Rimozione della carta inceppata

ATTENZIONE:

Non toccare la testina termica perché può essere molto calda dopo la stampa.

1. Spegnere la stampante e premere il pulsante di apertura della copertura.
2. Rimuovere la carta inceppata, installare di nuovo il rotolo della carta e chiudere la copertura.
3. Se la carta è inceppata nella taglierina e non si riesce ad aprire la copertura della stampante, aprire la copertura della taglierina come mostrato nella figura **J**.
4. Girare la manopola fino a quando nell'apertura appare un triangolo. A questo punto la lama della taglierina torna alla posizione normale. Aiutarsi con l'etichetta accanto alla taglierina. Vedere la figura **K**.
5. Chiudere la copertura della taglierina.
6. Aprire l'apertura della stampante e rimuovere la carta inceppata.

Pulizia della testina termica

  **ATTENZIONE:**

Dopo la stampa, la testina di stampa termica essere molto calda. Non toccarla e lasciarla raffreddare prima di pulirla. Non danneggiare la testina termica toccandola con le dita o con un qualsiasi altro oggetto duro.

Spegnere la stampante, aprire la copertura del rotolo della carta e pulire gli elementi termici della testina di stampa con un tamponcino di cotone inumidito con solvente a base di alcol (etanolo, metanolo o IPA).

La Epson raccomanda di pulire periodicamente la testina di stampa (in genere, ogni tre mesi) per mantenere la buona qualità della stampa.

TM-T88IV

DIP- (DIP):

(DIP)

(A, B, C...).

A:

1. Крышка принтера
2. Крышка резака для бумаги
3. Кнопка открытия крышки
4. Панель управления

C:

5. Фиксаторы
6. Днище принтера

Seiko Epson

Seiko Epson

Seiko Epson,

Epson

Seiko Epson

Seiko Epson
Epson.

Seiko

Epson
«Epson» «ESC/POS» —

Seiko Epson.

ВНИМАНИЕ!

Copyright © 2005, Seiko Epson Corporation, .



Если при использовании вашего оборудования будут замечены дым, непривычный запах или необычный шум, немедленно выключите оборудование. Его дальнейшее использование может привести к пожару. Сразу же отсоедините оборудование от сети и обратитесь за рекомендациями к торговому представителю изготовителя или в центр технического обслуживания оборудования компании Seiko Epson.

Никогда не пытайтесь самостоятельно отремонтировать это оборудование. Неправильное выполнение ремонта может привести к возникновению опасной ситуации.

Никогда не разбирайте оборудование и не изменяйте его конструкцию. Неумелое обращение с оборудованием может привести к нанесению травмы или пожару.

Пользуйтесь только указанным источником электропитания. Подсоединение оборудования к неправильному источнику электропитания может привести к пожару.

Не допускайте попадания посторонних предметов внутрь оборудования. Попадание в оборудование постороннего предмета может привести к пожару.

В случае попадания внутрь оборудования воды или какой-либо другой жидкости немедленно отсоедините от сети провод электропитания оборудования и обратитесь за рекомендациями к торговому представителю изготовителя или в центр обслуживания оборудования компании Seiko Epson. Продолжение использования оборудования может привести к пожару.

После того, как вы откроете крышку переключателя в плоском корпусе с двухрядным расположением выводов (DIP), чтобы отрегулировать переключатель, не забудьте закрыть крышку и затянуть винт крышки. Использование оборудования с открытой крышкой может привести к пожару или к поражению электрическим током.



!

Подключайте кабели только в соответствии с инструкциями, приведенными в этом руководстве. Другое подключение кабелей может привести к повреждению и воспламенению оборудования.

Устанавливайте оборудование только на устойчивой, твердой горизонтальной поверхности. Падение оборудования может привести к его поломке или к нанесению травм персоналу.

Не используйте оборудование в помещениях, отличающихся высокой влажностью или запыленностью воздуха. Чрезмерная влажность или запыленность могут привести к повреждению или воспламенению оборудования.

Не кладите на оборудование тяжелые предметы. Никогда не вставляйте на оборудование и не опирайтесь на него. Оборудование может упасть или сломаться; в обоих случаях возможно нанесение травм персоналу.

В целях обеспечения безопасности отсоединяйте оборудование от сети в том случае, если оно не будет использоваться в течение длительного времени.

Использование легко воспламеняющихся газов в пневматическом оборудовании (например, в оборудовании для сдувания пыли сжатым воздухом во время ремонта и технического обслуживания) не допускается.



!

Термопечатающая головка сильно нагревается!



!

Прикосновение к резаку может привести к нанесению травмы.



*



*

*



IEEE 1284.

(USB),

<http://www.epsonexpert.com/>

<http://www.epson-pos.com/>

«Select any product».



Если принтер устанавливается на стене с помощью дополнительного кронштейна, не забудьте установить крышку соединительного разъема принтера.

FEED



(Power)

(ERROR)

« **» (PAPER OUT)**



Если в ходе эксплуатации оборудования с установленной крышкой переключателя питания возникнет аварийная ситуация, немедленно отсоедините провод питания от сети. Продолжение использования оборудования может привести к пожару или к поражению электрическим током.

B.

1.

2.

(. **C).**

3.

(. **D).**

1.

(. **E).**

2.

(. **F).**

3.

G.

4.

H,

I.

На панели управления не горят индикаторы

Горит (не мигая) СДИ ошибки (ERROR), принтер не печатает

горит « » (PAPER OUT), ,
« » (PAPER OUT) не горит, ,

Мигает СДИ ошибки (ERROR), принтер не печатает (бумага не застряла)

10 ,



!

Не прикасайтесь к термопечатающей головке! Во время печати она может нагреваться до очень высокой температуры.

- 1.
- 2.
- 3.
- 4.
- 5.
- 6.

J.

K).



!

В процессе печати термопечатающая головка может нагреваться до очень высокой температуры. Будьте осторожны! Не прикасайтесь к горячей головке и начинайте ее очистку только после того, как она остынет. Прикосновение к термопечатающей головке пальцами или любым твердым предметом может привести к ее повреждению.

Epson

(, 3).

WEEE (Waste Electrical and Electronic Equipment) Directive

This information only applies to customers in the European Union, according to Directive 2002/96/EC OF THE EUROPEAN PARLIAMENT AND OF THE COUNCIL OF 27 January 2003 on waste electrical and electronic equipment (WEEE) and legislation transposing and implementing it into the various national legal systems.

For other countries, please contact your local government to investigate the possibility of recycling your product.



English

The crossed out wheeled bin label that can be found on your product indicates that this product should not be disposed of via the normal household waste stream. To prevent possible harm to the environment or human health please separate this product from other waste streams to ensure that it can be recycled in an environmentally sound manner. For more details on available collection facilities please contact your local government office or the retailer where you purchased this product.

Deutsch

Der Aufkleber mit durchgekreuzter Mülltonne an diesem Produkt weist darauf hin, dass dieses Produkt nicht im normalen Hausmüll entsorgt werden darf. Zur Vermeidung einer möglichen Beeinträchtigung der Umwelt oder der menschlichen Gesundheit und um zu gewährleisten, dass es in einer umweltverträglichen Weise recycelt wird, darf dieses Produkt nicht in den Hausmüll gegeben werden. Informationen zu Entsorgungseinrichtungen erhalten Sie bei der zuständigen Behörde oder dem Geschäft, in dem Sie dieses Produkt erworben haben.

Français

L'étiquette apposée sur ce produit et représentant une poubelle barrée indique que le produit ne peut être mis au rebut avec les déchets domestiques normaux. Afin d'éviter d'éventuels dommages au niveau de l'environnement ou sur la santé, veuillez séparer ce produit des autres déchets de manière à garantir qu'il soit recyclé de manière sûre au niveau environnemental. Pour plus de détails sur les sites de collecte existants, veuillez contacter l'administration locale ou le détaillant auprès duquel vous avez acheté ce produit.

Italiano

L'etichetta con il contenitore barrato applicata sull'imballo indica che il prodotto non deve essere smaltito tramite la procedura normale di smaltimento dei rifiuti domestici. Per evitare eventuali danni all'ambiente e alla salute umana, separare questo prodotto da altri rifiuti domestici in modo che possa essere riciclato in base alle procedure di rispetto dell'ambiente. Per maggiori dettagli sulle strutture di raccolta disponibili, contattare l'ufficio competente del proprio comune o il rivenditore del prodotto.

Español

La etiqueta de un contenedor tachado que hallará en su producto indica que este producto no se puede tirar con la basura doméstica normal. Para impedir posibles daños medioambientales o para la salud, separe este producto de otros canales de desecho para garantizar que se recicle de una forma segura para el medio ambiente. Para más información sobre las instalaciones de recolección disponibles, dirijase a las autoridades locales o al punto de venta donde adquirió este producto.

Português

A etiqueta com o símbolo de um contentor de lixo traçado com uma cruz que aparece no produto indica que este produto não deve ser deixado fora juntamente com o lixo doméstico. Para evitar possíveis danos no ambiente ou na saúde pública, por favor separe este produto de outros lixos; desta forma, terá a certeza de que pode ser reciclado através de métodos não prejudiciais ao ambiente. Para obter mais informações sobre os locais de recolha de lixo disponíveis, contacte a sua junta de freguesia, câmara municipal ou local onde comprou este produto.

Nederlands

Op uw product is een label van een rolcontainer met een kruis erdoor aangebracht. Dit label wil zeggen dat dit product niet bij het normale huishoudelijk afval mag worden ingezameld. Om eventuele schade aan het milieu of de gezondheid van de mens te voorkomen moet dit product gescheiden van al het ander afval worden ingezameld, zodat het op een verantwoorde wijze kan worden verwerkt. Voor meer informatie over uw lokale afvalinzameling wendt u zich tot uw gemeente of de leverancier bij wie u dit product hebt gekocht.

Dansk

Etiketten med et kryds over skraldespanden på hjul, der sidder på produktet, angiver, at dette produkt ikke må bortskaffes sammen med almindeligt husholdningsaffald. For at beskytte miljø og helbred skal dette produkt bortskaffes separat, så det kan genbruges på en måde, der er god for miljøet. Kontakt de lokale myndigheder eller den forhandler, hos hvem du har købt produktet, vedrørende steder, hvor du kan aflevere produktet.

Suomi

Laitte on merkitty jäteastia-symbolilla, jonka yli on vedetty rasti. Tämä tarkoittaa, ettei laitetta saa hävittää normaalin talousjätteen mukana. Älä hävitä laitetta normaalin jätteen seassa vaan varmista, että laite kierrätetään ympäristöystävällisellä tavalla, jottei ympäristölle tai ihmisille aiheudu vahinkoa. Lisätietoja kierrätyksestä ja keräyspisteistä saa ottamalla yhteyttä paikallisiin viranomaisiin tai jälleenmyyjään, joita laite ostettiin.

Svenska

Symbolen med en överkorsad soptunna innebär att denna produkt inte får kastas i vanligt hushållsavfall. För att skydda miljön ska denna produkt inte kastas tillsammans med vanligt hushållsavfall utan lämnas för återvinning på tillbörligt sätt. För mer information om uppsamlingsplatser kontakta din lokala myndighet eller den återförsäljare där du har köpt produkten.

Norsk

Det er kryssset over merket av beholderen på hjul som vises på produktet, som angir at dette produktet ikke skal kastes sammen med vanlig husholdningsavfall. Hold dette produktet atskilt fra annet avfall slik at det kan resirkuleres på en miljømessig forsvarlig måte og dermed forhindre eventuell skade på miljø eller helse. Hvis du vil ha mer informasjon om hvor produktet kan leveres inn, kontakter du kommunale myndigheter eller forhandleren der du kjøpte dette produktet.

esky

Štítek s přeškrtnutým odpadkovým košem na kolečkách, který lze nalézt na výrobku, označuje, že tento product se nemá likvidovat s běžným domovním odpadem. V zájmu ochrany životního prostředí a lidského zdraví zlikvidujte tento výrobek jako tříděný odpad, který se recykluje způsobem šetrným k životnímu prostředí. Podrobnější informace o sběrných dvorech pro tříděný odpad získáte na obecním úřadě nebo u prodejce, u kterého jste příslušný výrobek zakoupili.

Magyar

A termékem található, áthúzott szemetest ábrázoló címke azt jelzi, hogy ezt a terméket nem szabad a rendes háztartási szeméttel együtt kidobni. Az esetleges környezeti- vagy egészségkárosodást megelőzendő, kérjük, hogy ezt a terméket a többi szeméttől elkülönítve helyezze el, és biztosítsa, hogy azt környezetbarát módon újrahasznosítsák. A rendelkezésére álló begyűjtő létesítményekről kérjük tájékozódjon a megfelelő helyi állami szerveknél vagy a viszonteladónál, ahol a terméket vásárolta.

Polski

Symbol przekreślonego kosza znajdujący się na produkcie oznacza, że nie może on być utylizowany razem z normalnymi odpadami z gospodarstwa domowego. Aby zapobiec potencjalnemu zagrożeniu dla środowiska lub zdrowia ludzkiego, produkt ten należy odseparować od reszty odpadów z gospodarstwa domowego i utylizować w ekologicznie właściwy sposób. Szczegółowe informacje na temat punktów zbiórki odpadów można uzyskać w lokalnych urzędach lub u sprzedawcy danego produktu.

Slovensky

Štítok s přeškrtnutým odpadkovým košem na kolieskach, ktorý je možné nájsť na výrobku, označuje, že tento product sa nemá likvidovať s bežným komunálnym odpadom. V záujme ochrany životného prostredia a ľudského zdravia zlikvidujte tento výrobok ako triedený odpad, ktorý sa recykluje spôsobom šetrným k životnému prostrediu. Podrobnejšie informácie o zberných dvoroch pre triedený odpad získate na obecnom úrade alebo u predajcu, u ktorého ste príslušný výrobok zakúpili.

Slovenski

Precrtan koš za smeti na etiketi, katero lahko najdete na vašem izdelku, pomeni, da tega izdelka ne smete odvreči podobno kot vse ostale smeti. Da bi preprečili morebitne škodljive vplive na okolje ali zdravje, ločite izdelek od vseh ostalih in poskrbite, da bo recikliran na okolju prijazen način. Natančne informacije o tem, kje se nahajajo primerna odlagališča, pridobite v vašem krajevnem uradu ali pri prodajalcu.

Eesti

Teie tootele kleebitud tähis, mis kujutab ratastega prügikonteinerit, millele on rist peale tõmmatud, keelab toote kõrvaldamise majapidamisjäätmetega samases viisil. Keskkonnale või inimeste tervisele tekitatava võimaliku kahju vältimiseks eraldage toode teistest jäätmetest, et tagada selle korduvkasutamise keskkonnasäästlikul viisil. Kui soovite saada rohkem teavet võimalike kogumispunktide kohta, võtke ühendust kohaliku omavalituse ametnikuga või teile toote müünud jaemüüjaga.

Lietuviški

Užbraukta ratuota šiukšliadėžės etiketė, kurią rasite ant jūsų produkto, reiškia, kad šis produktas neturėtų būti išmestas kartu su įprastinėmis buitinėmis šiukšlėmis. Siekiant išvengti galimos žalos aplinkai bei žmonių sveikatai, prašome atskirti šį produktą nuo kitų atliekų, ir įsitikinti, kad jis būtų perdirbtas aplinkai nepavojingu būdu. Jei reikia išsamesnės informacijos apie atliekų surinkimo ypatumus, prašome kreiptis į savo vietas valdžios įstaigas arba į mažmeninį pardavėją, iš kurio jūs įsigijote šį produktą.

Latviski

Marķējums ar pārsvītrotu atkritumu tvertni uz rītenīšiem, kas redzams uz izstrādājuma, norāda, ka šo izstrādājumu nedrīkst likvidēt kopā ar parastajiem sadzīves atkritumiem. Lai novērstu iespējamo kaitējumu videi vai cilvēku veselībai, lūdzu, atdaliet šo izstrādājumu no citiem atkritumiem, tādējādi nodrošinot tā otrreizējo pārstrādi videi drošā veidā. Papildinformācijai par pieejamajām atkritumu savākšanas iespējām, lūdzu, sazinieties ar vietējo pašvaldību vai mazumtirgotāju, no kura jūs iegādājāties šo izstrādājumu.

Η διαγραμμένη ετικέτα του τροχοφόρου κάδου απορριμμάτων που θα βρείτε πάνω στο προϊόν σας υποδεικνύει ότι αυτό το προϊόν δεν πρέπει να απορριπτείται μέσω του κανονικού δικτύου αποκομιδής οικιακών απορριμμάτων. Για να αποτρέψετε πιθανές επιπτώσεις στο περιβάλλον ή την ατομική υγεία, παρακαλούμε να διαχωρίσετε αυτό το προϊόν από άλλα δίκτυα αποκομιδής ώστε να διασφαλίσετε ότι είναι δυνατή η ανακύκλωσή του με έναν περιβαλλοντικά θεμιτό τρόπο. Για περισσότερες πληροφορίες σχετικά με τις διαθέσιμες δυνατότητες συλλογής απορριμμάτων, παρακαλούμε να επικοινωνήσετε με την τοπική κυβερνητική αρχή ή το κατάστημα λιανικής από όπου αγοράσατε αυτό το προϊόν.

Türkçe

Ürününüzün üzerinde bulunan çarpi işaretli tekerlekli kutu etiketi, bu ürünün normal ev atık sistemi vasıtasıyla elden çıkarılmaması gerektiğini gösterir. Çevreye ve insan sağlığına zarar vermeyecek şekilde için, lütfen bu ürünün çevreye zarar vermeyecek şekilde geri dönüşüme tabi tutulmak üzere diğer atıklarından ayırın. Mecvut toplama tesisleri ile ilgili ayrıntılı bilgi edinmek için, yerel devlet makamlarıyla veya bu ürünün satın aldığınız satıcıyla irtibata geçin.

Printed on Recycled Paper
Printed in China
2005.12